

TEE

1:8 SCALE 4WD ELECTRIC PRO RACING BUGGY



Team

Notice

Thank you for purchasing this T8E Competition Buggy by Team C. This manual shows instructions and tips to built and maintain your T8E. Please take some time to read through to get familiar with the shown steps.

We continually improve our products, due to that, actual parts my be different to the illustrations. Please check our website for the latest versions manuals and tips before you start to built this model.

This manual is written in english language only. If you need a manual in your language please visit our website or contact your distributor!

Diese Anleitung wurde in englischer Sprache verfasst. Sollten sie eine Anleitung in ihrer Sprache benötigen, besuchen sie unsere website oder konaktieren sie ihren Vertriebsagenten.

Questo manuale è stato scritto in inglese. Se avete bisogno del manuale nella tua lingua, si prega di visitare il nostro sito web o contattate il proprio distributore.

Este manual está escrito en Inglés. Si necesita el manual en su idioma, por favor visite nuestro sitio web o contacte con su distribuidor.

Ce manuel est écrit en langue anglaise. Si vous avez besoin d'un manuel dans votre langue s'il vous plaît visitez notre site web ou contactez votre distributeur!

Deze handleiding is geschreven in het Engels taal beschikbaar. Als u een handleiding in uw eigen taal kunt u terecht op onze website of neem contact op met uw distributeur!

Generall Information

THIS IS NOT A TOY!

Not suitable for children under 14 years of age without adult supervision.

This is a high performance vehicle, for safety reason don't run on public streets, in crowded areas, environmentally areas or near children or animals.

This model contains rotating parts and parts which become hot during operation. Care must been taken to avoid damage or injuries.

This product may require some assembly and routine maintance.

This product is covered by warranty based on material defectives. Crash damage or maintenance failures are not covered under warranty.

Batteries should be used in good condition only, and need to be fully charged.

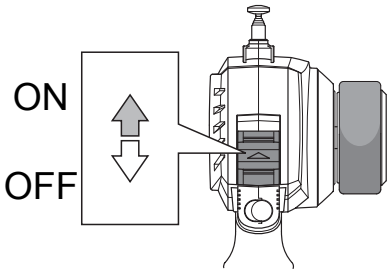
Nitro models should be driven outside of buildings only. Inhaling exhaust gases could cause health damage.

Keep chemicals stored out of the range of small children.

Make sure your model and equipment is in perfect condition before you use it, to ensure savety and fun while driving.

Transmitter Preparation

Power Switch



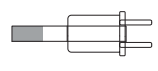
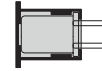
Antenna

Extend the antenna to the maximum Length for best performance

27MHz Transmitter Crystal (TX)

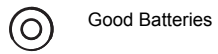
Transmitter crystal(TX)

Receiver crystal(RX)



The crystal can be replaced to change frequencies.
Note : You must also change receiver crystals!
Do not use AM crystals

Battery Level Indicator



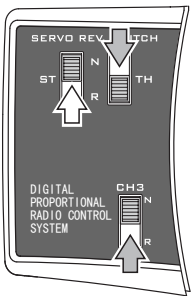
Good Batteries



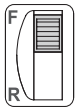
Low Batteries(Light Blinks)

Reverse Switch 反向开关

! Servo Factory Settings

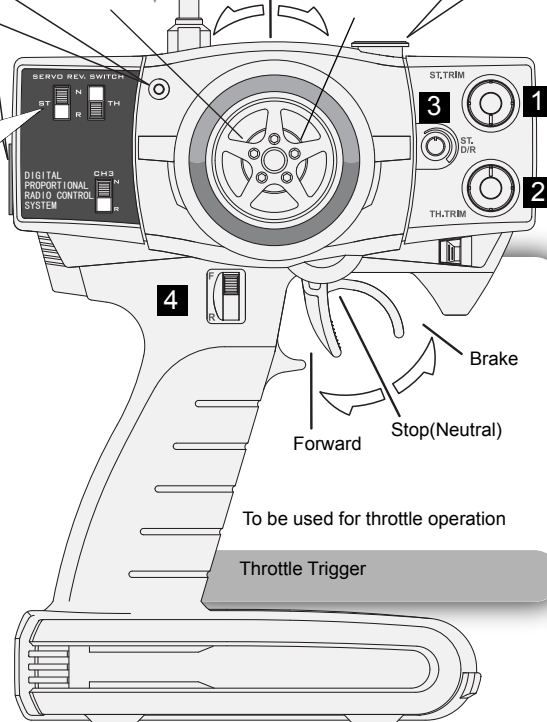


4 3ch Switch

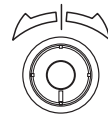


This switch is used for optional parts.

Left turn Straight (neutral) Right turn



1 Steering Trim



To be used for trimming the steering operation

2 Throttle Trim



To be used for trimming the throttle operation

3 Steering Dual Rate

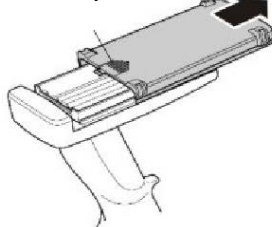


To be used to adjust steering servo throw

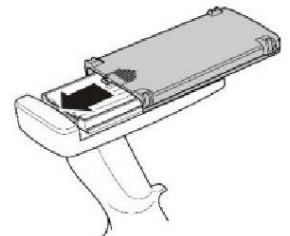
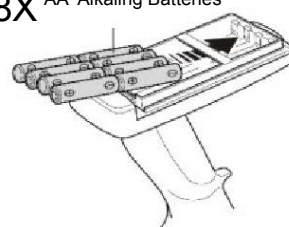
Transmitter Battery Installation

Open battery cover at the bottom of transmitter. Install batteries. Follow the direction of batteries designated in the inside of battery box.

Battery Cover



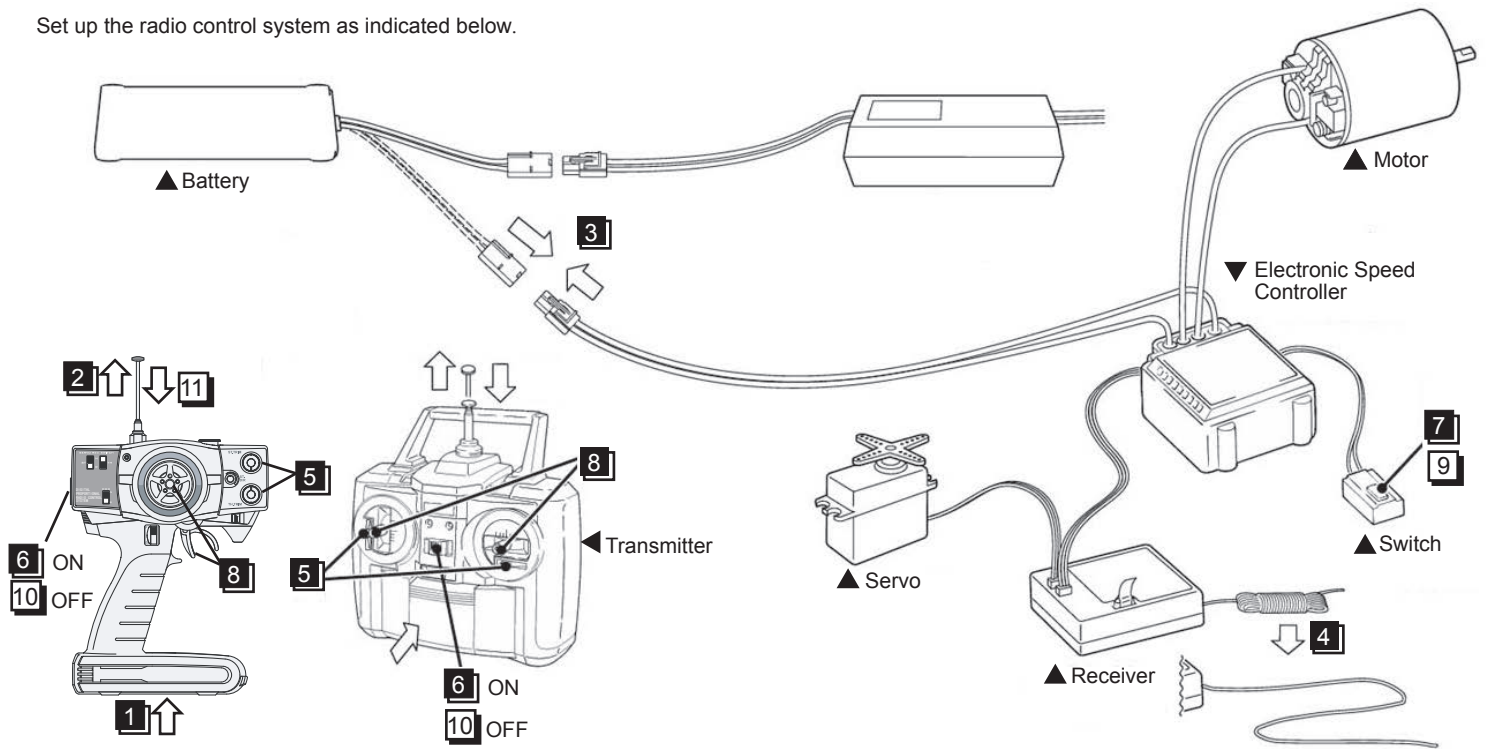
8X AA Alkaling Batteries



Transmitter Preparation

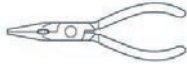



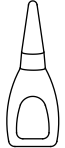

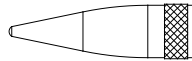

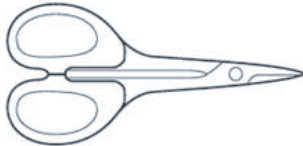

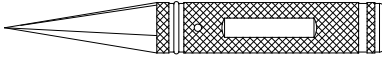



A new Ni-MH battery must be charged before it is used. Refer to the charger instruction manual for charging.

Set up the radio control system as indicated below.



- **Start**
 - 1 Install batteries.(Transmitter)
 - 2 Extend the antenna.(Transmitter)
 - 3 Connect the battery
 - 4 Extend the antenna.(Receiver)
 - 5 Center the trims.
 - 6 Switch on.(Transmitter)
 - 7 Switch on.(Receiver)
 - 8 Make sure the servos are in command.
- **Finish**
 - 9 Switch off.(Receiver)
 - 10 Switch off.(Transmitter)
 - 11 Retract the antenna(Transmitter)

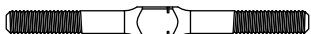
Tools required

- | | | | | |
|---|--|---|---|---|
| ● Needle Nose Pliers
 | ● Awl
 | ● Grease
 | ● Screw Cement
 | ● H162 Instant Glue
 |
| ● Differential Grease
 | ● H154 Body Reamer
 | ● Wire Cutters
 | ● H096 ROUND CUTTER
 | |
| ● Molybdenum Grease(Black)
 | ● Hex Wrench
 | ● Sharp Hobby knife
 | | |
| ● Hex Wrench
 | ● Hex Wrench
 | No need to pre-drill precise holes (1mm to 15mm) can be drilled | | For trimming bodies! |

1 Servo Saver Turnbuckle

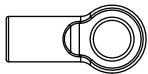
Bag-A

T08643 3x40 Turnbuckle



.....1

T08606 5.8 Ball End



.....2

T08606 5.8 Ball stud



.....2

T08666 M3 Nylon Nut



.....1

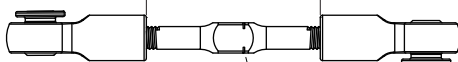
T08674 M3x15 Screw



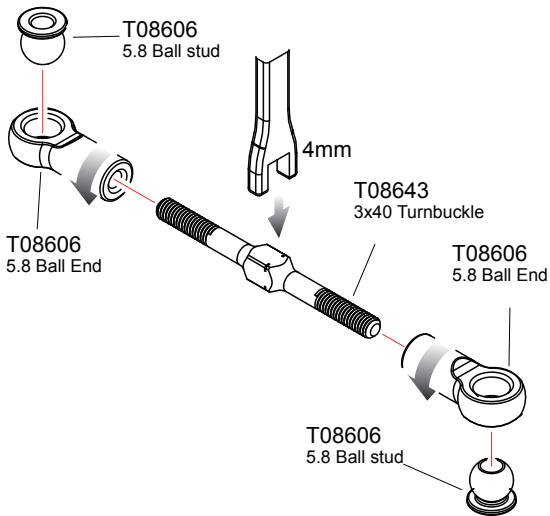
.....1

1:1

Approx. 23mm



▲ Projection. Note direction



Select the servo horn matching the servo being used.



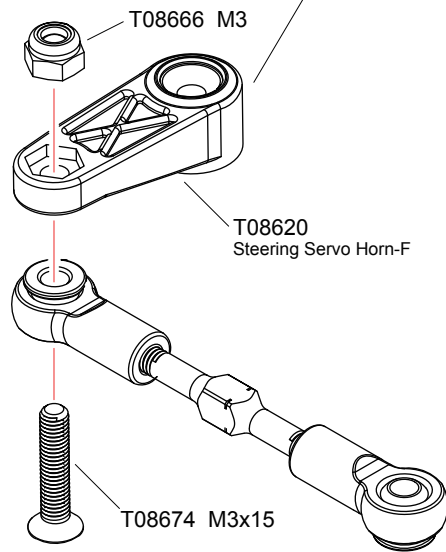
Futaba-25T



Hitec-24T



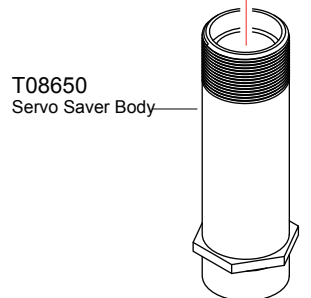
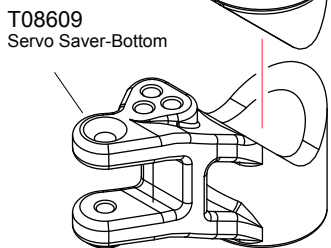
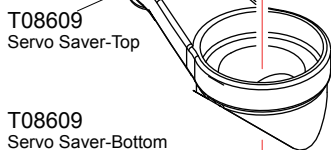
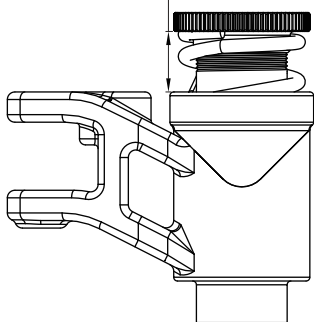
Sanwa/JR/KO-23T



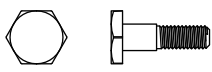
2 Buffer

Bag-A

Approx. 8mm



T08651 Buffer Screw



.....2

T02081 3x7x0.8 Washer



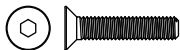
.....2

T08666 M3 Nylon Nut

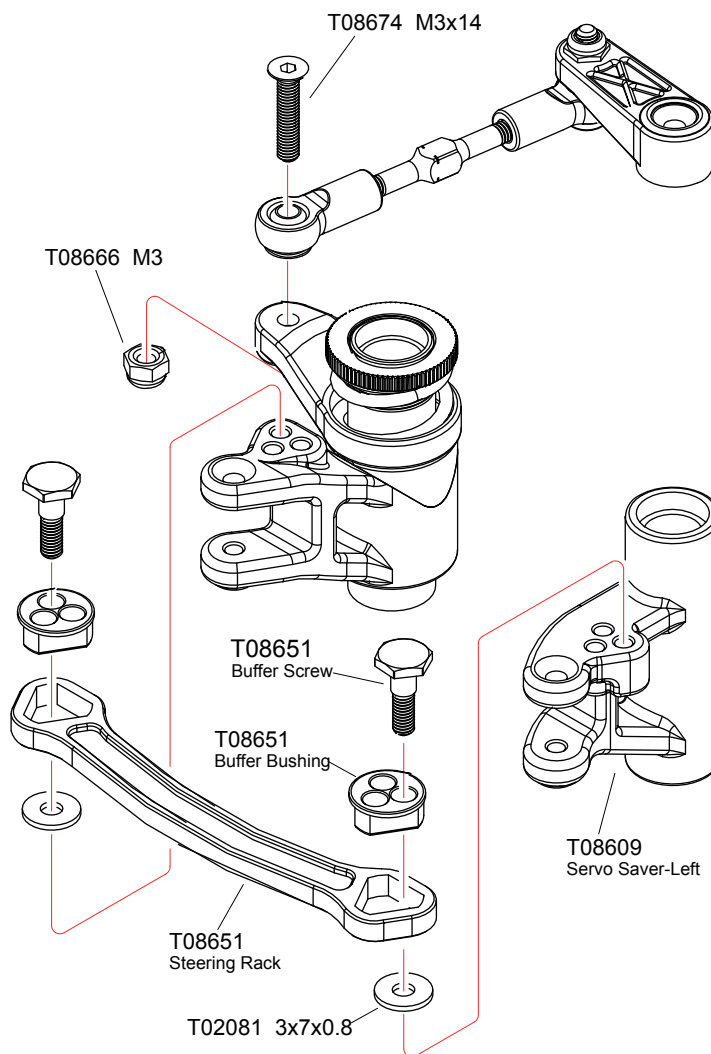


.....1

T08674 M3x14 Screw

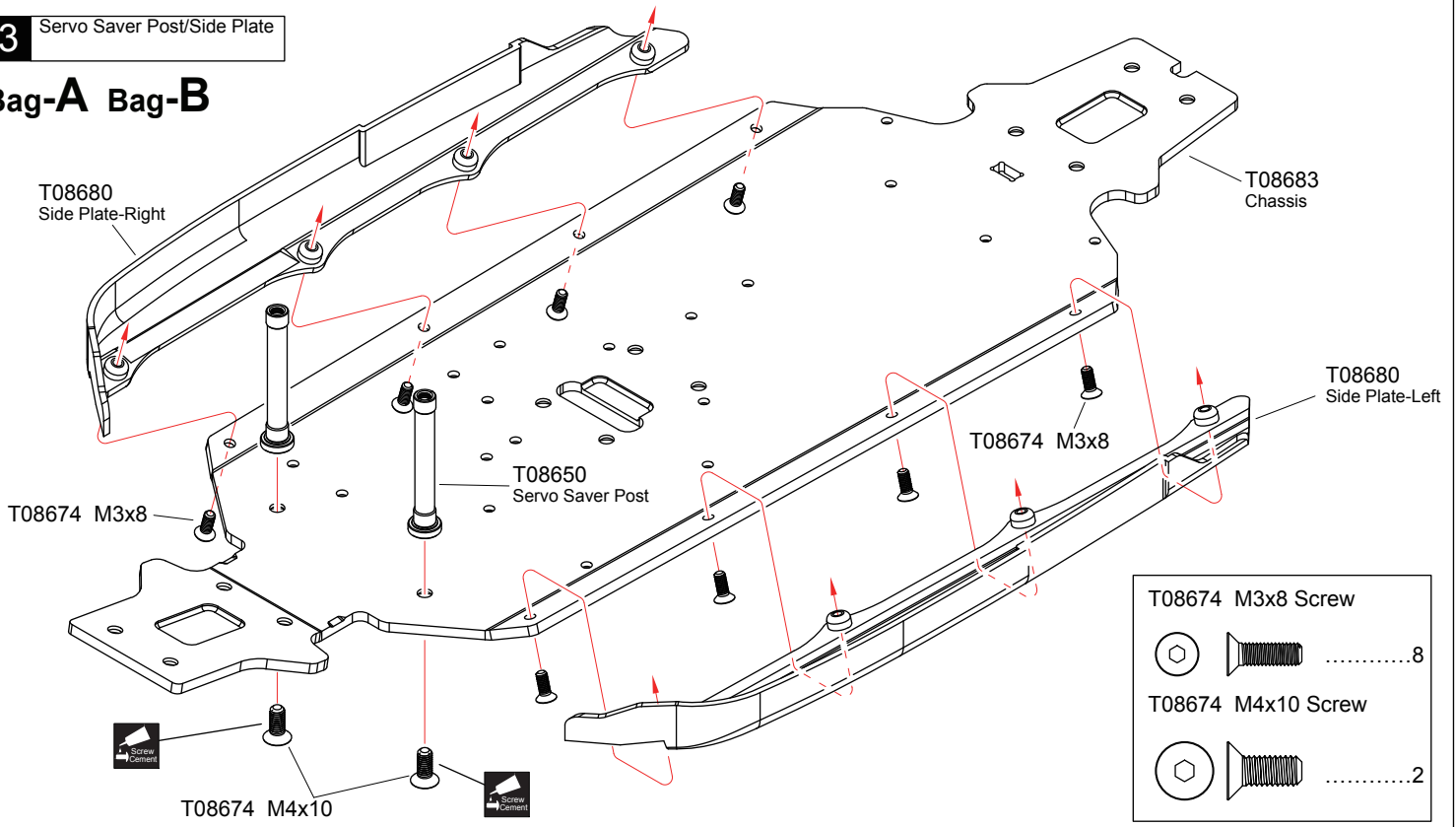


.....1



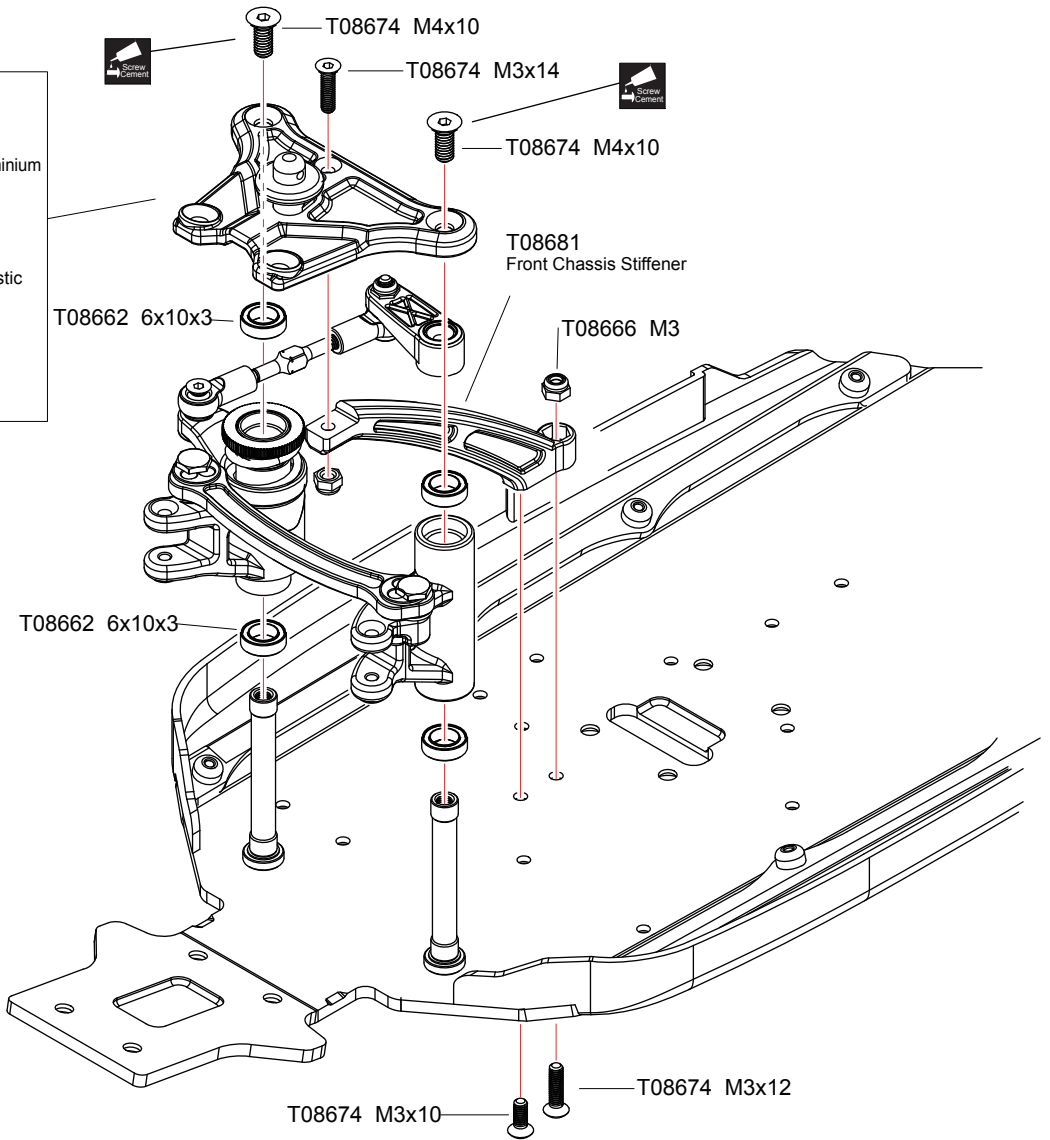
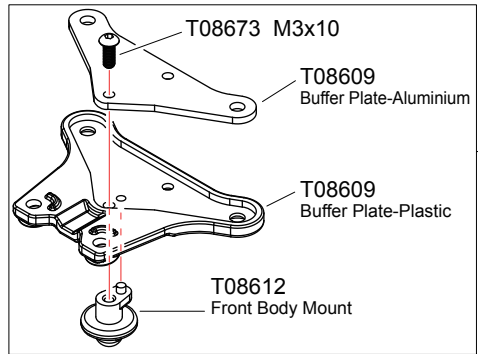
3 Servo Saver Post/Side Plate

Bag-A Bag-B



T08674 M3x8 Screw	8
T08674 M4x10 Screw	2

4 Buffer **Bag-A**

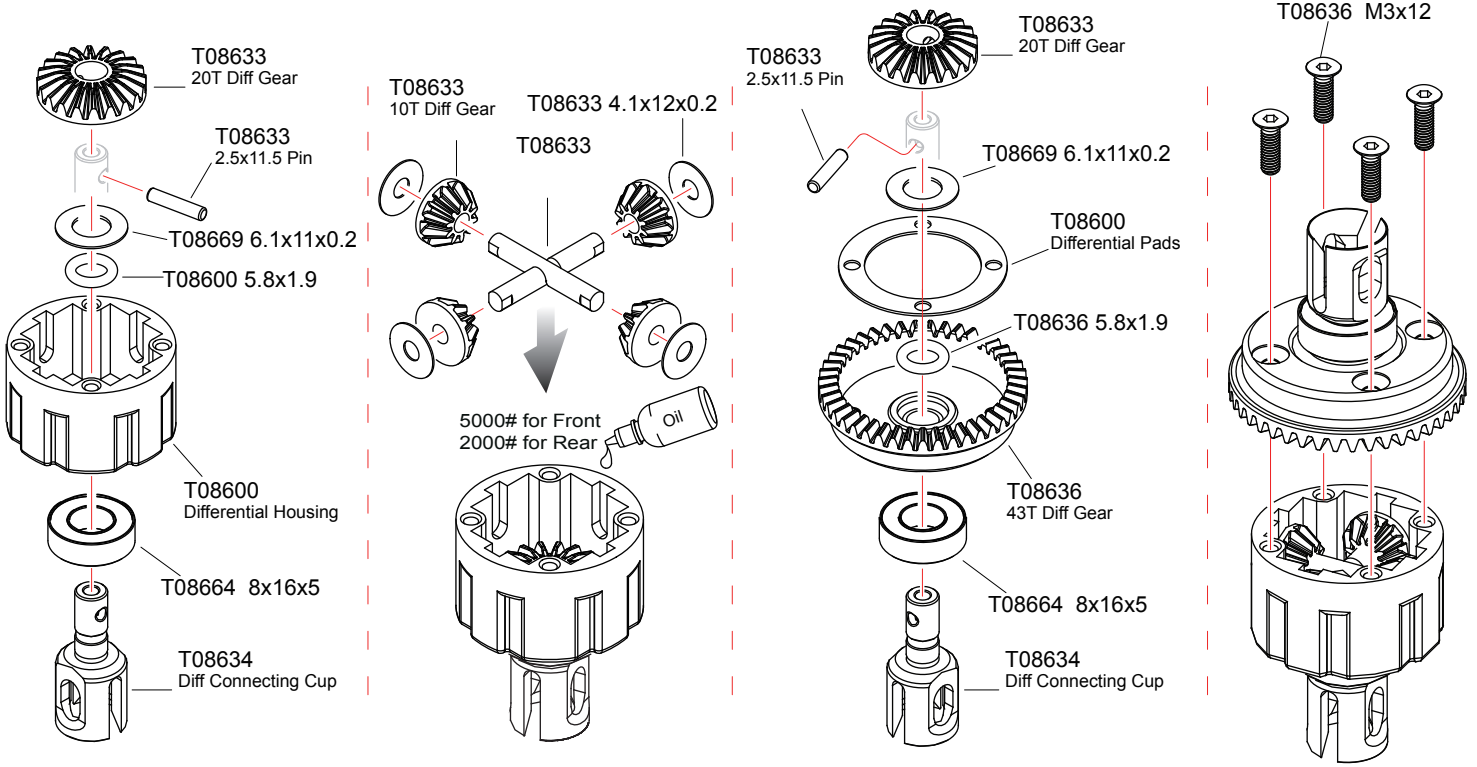


T08673 M3x10 Screw	1
T08674 M3x10 Screw	1
T08674 M3x12 Screw	1
T08674 M3x14 Screw	1
T08674 M4x10 Screw	1
T08666 M3 Nylon Nut	2
T08662 6x10x3 Ball Bearing	4
	2

Apply threadlock

5 Front/Rear Differential

x2 Bag-C

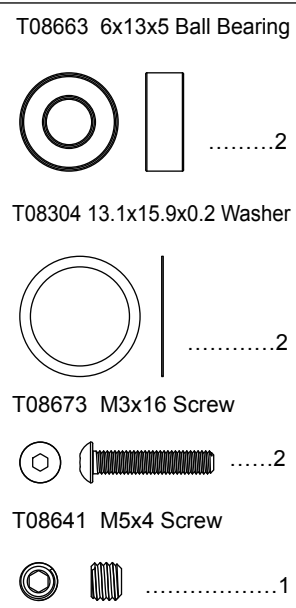
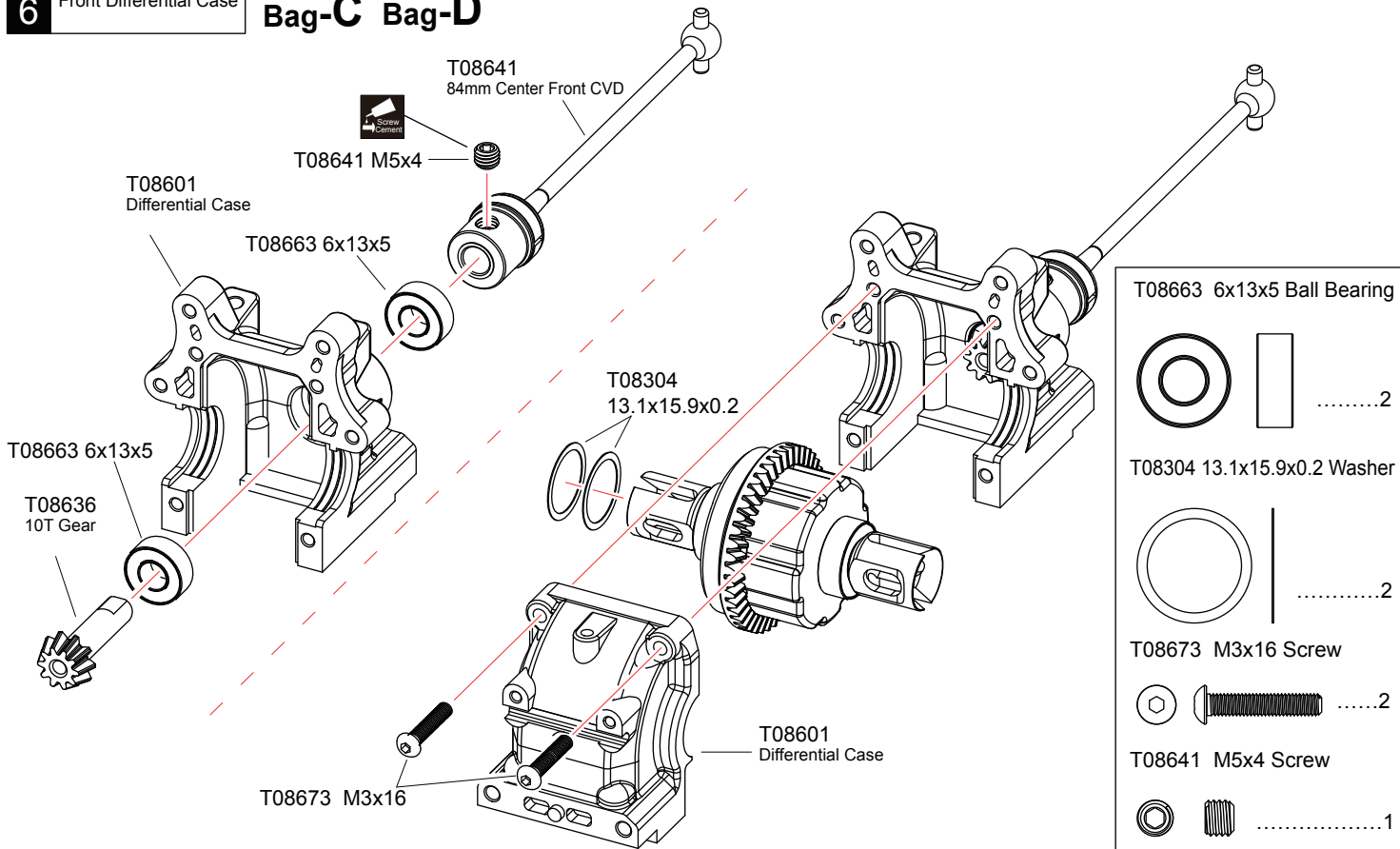


T08600/T08636 5.8x1.9 O-Ring T08633 4.1x12x0.2 Washer T08669 6.1x11x0.2 Washer T08664 8x16x5 Ball Bearing T08636 M3x12 Screw



6 Front Differential Case

Bag-C Bag-D

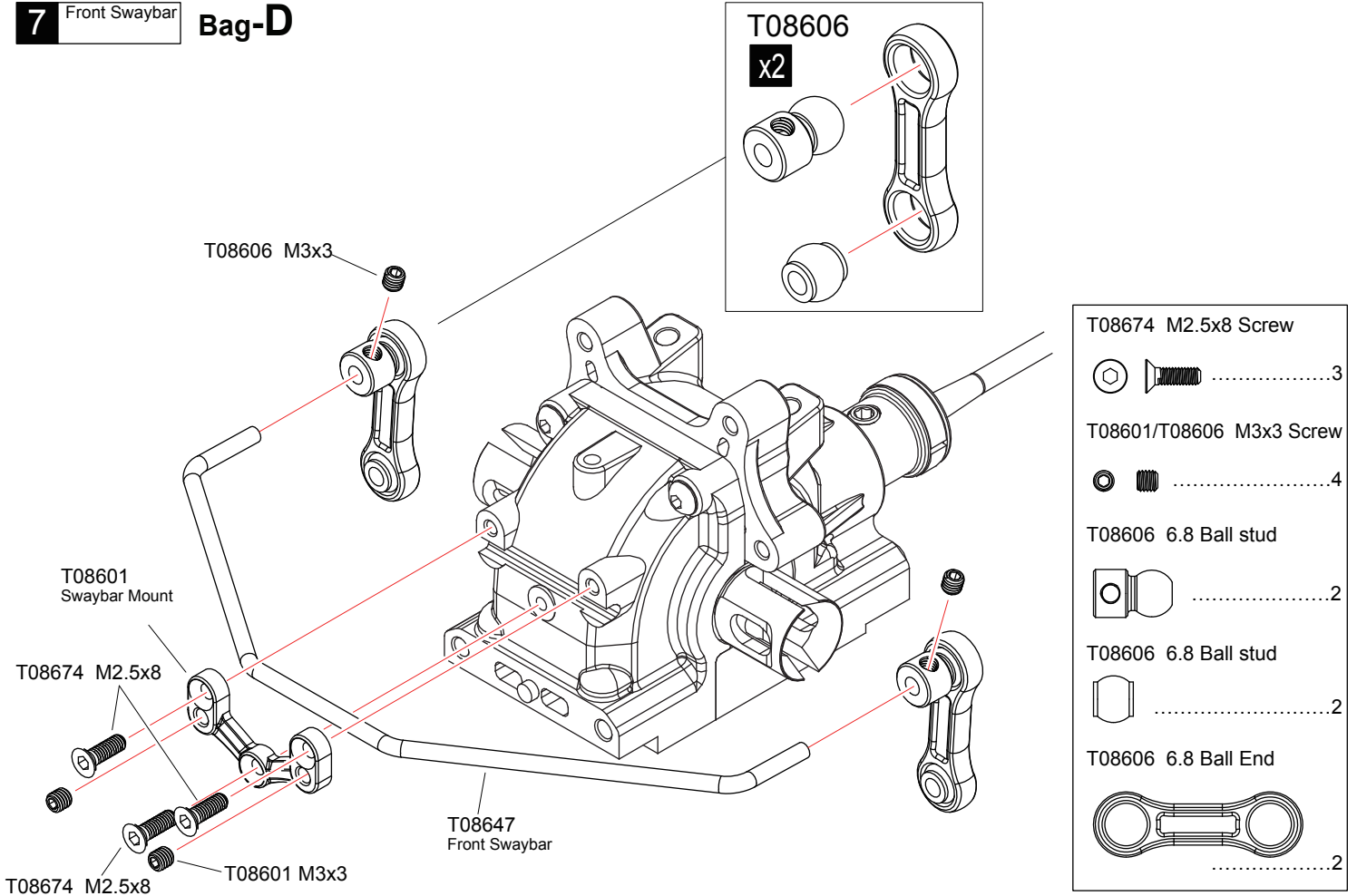


Apply threadlock

x2 Assemble as many times as specified

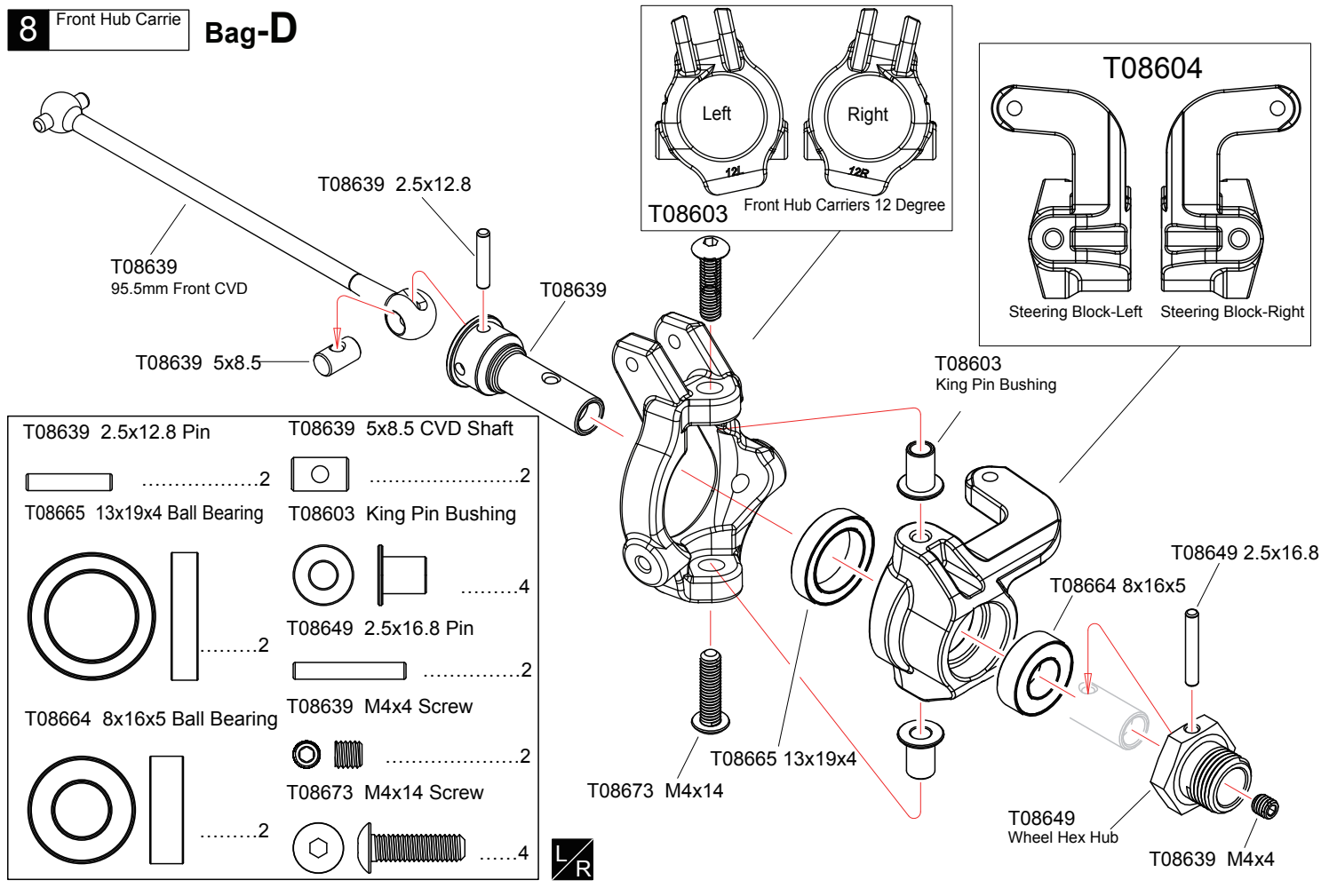
7 Front Swaybar

Bag-D

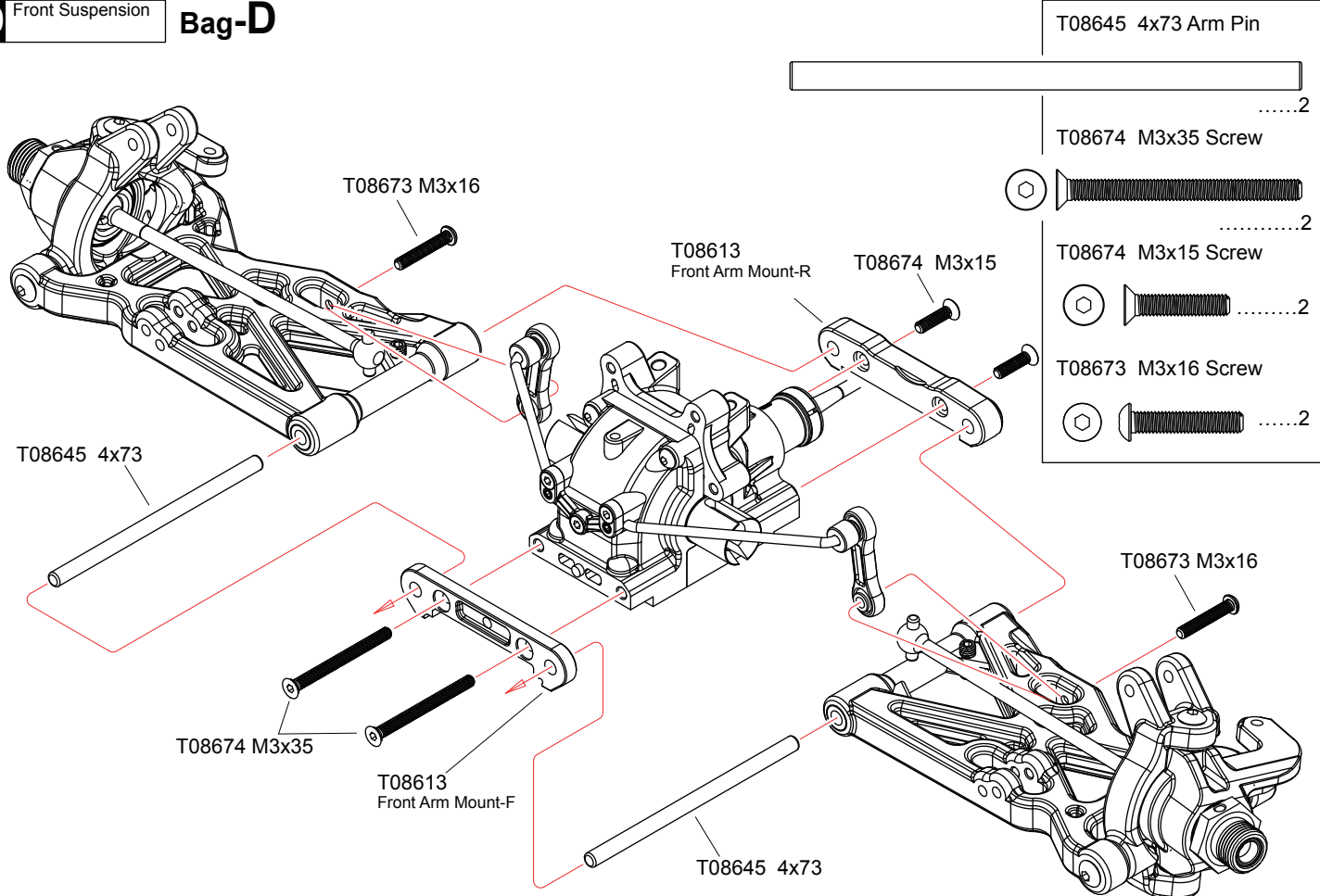
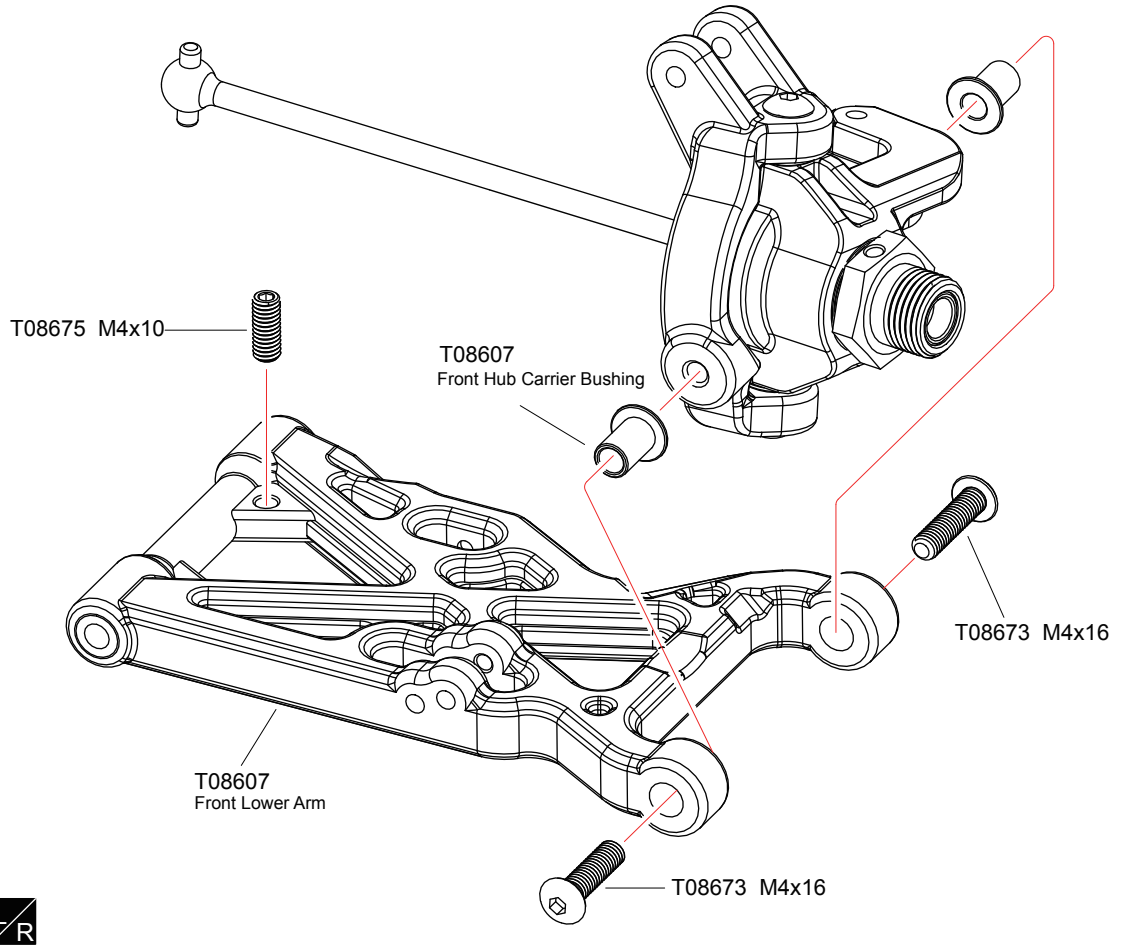


8 Front Hub Carrier

Bag-D

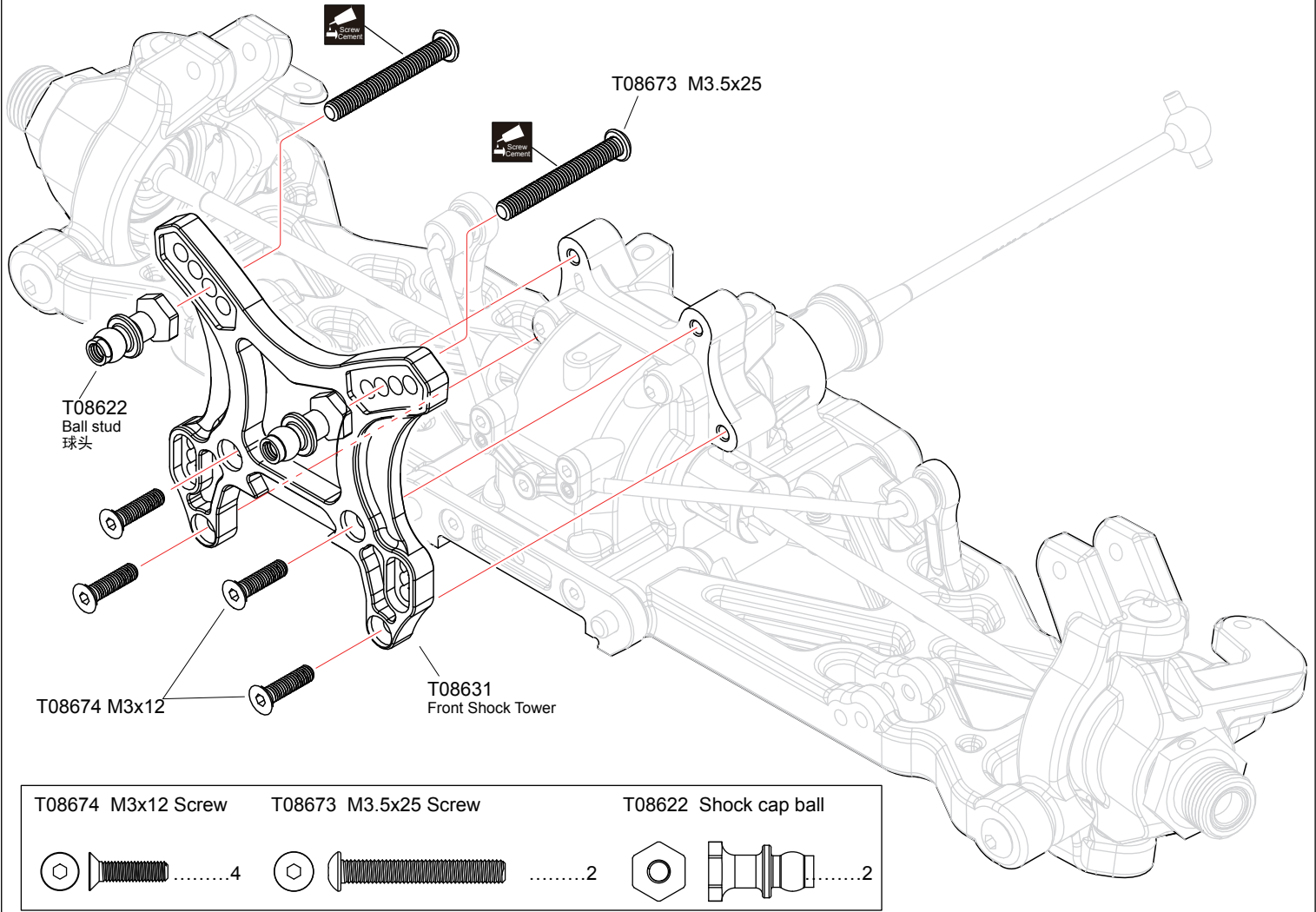


L/R Assemble both Left and Right **x2** Assemble as many times as specified



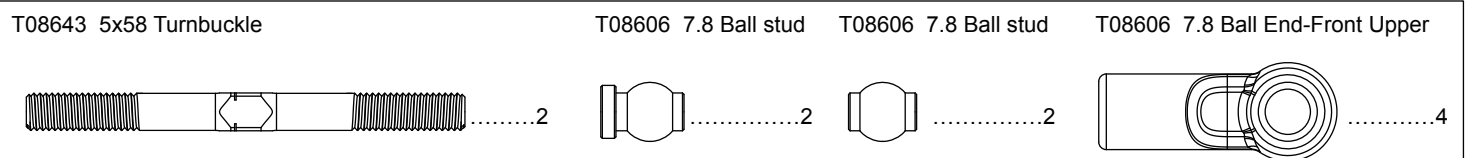
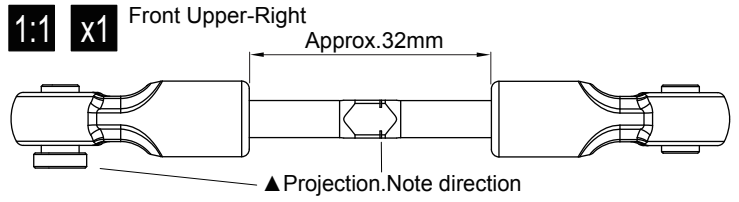
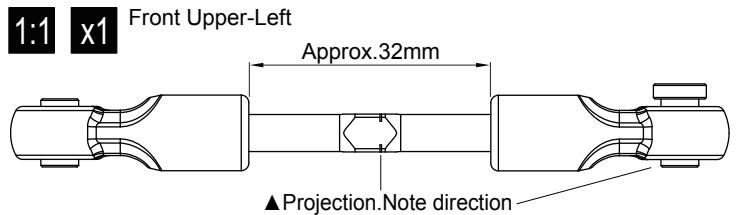
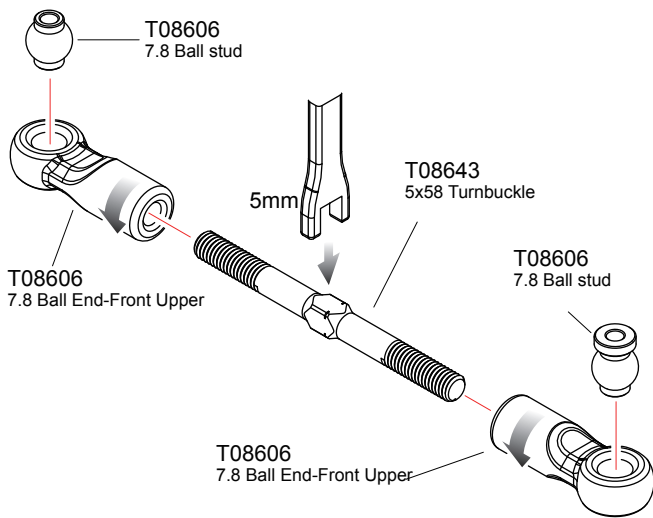
11 Front Shock Tower

Bag-D



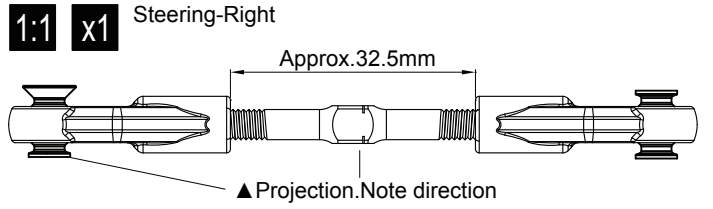
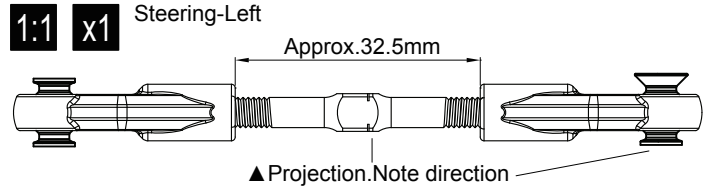
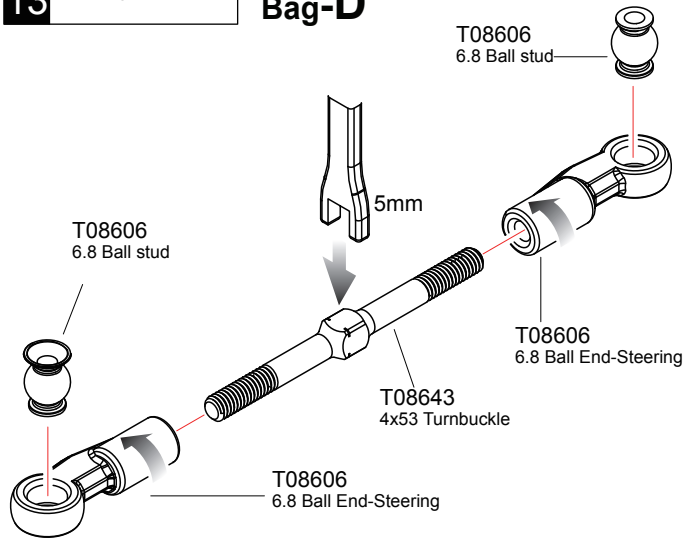
12 Front Upper Turnbuckle

Bag-D



13 Steering Turnbuckle

Bag-D

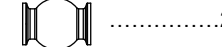
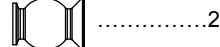
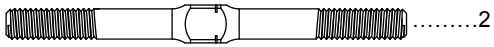


T08643 4x53 Turnbuckle

T08606 6.8 Ball stud

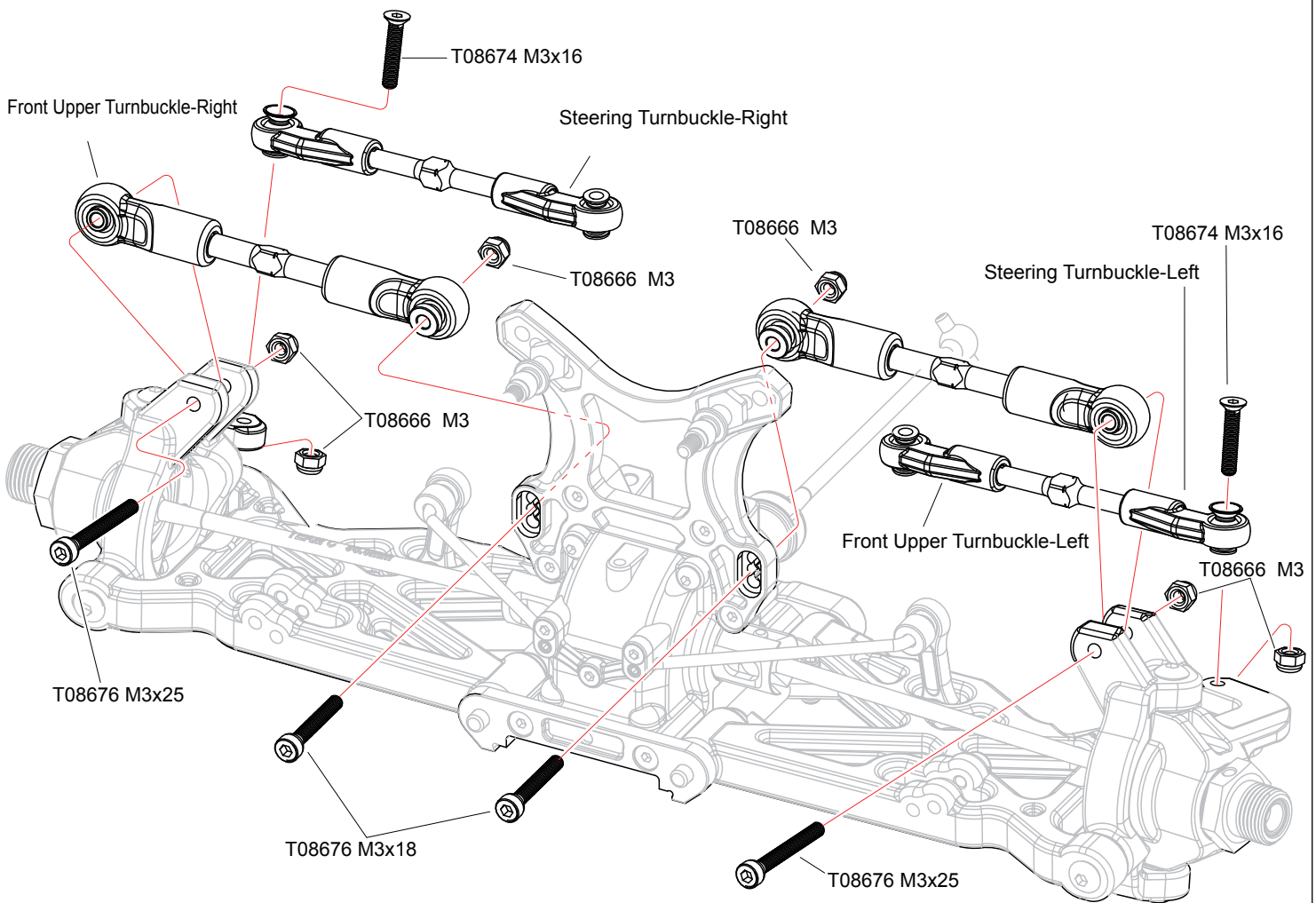
T08606 6.8 Ball stud

T08606 6.8 Ball End-Steering



14 Front Upper/Steering Turnbuckle

Bag-D

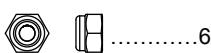


T08674 M3x16 Screw

T08666 M3 Nylon Nut

T08676 M3x25 Screw

T08676 M3x18 Screw



15 Front Suspension Bag-D

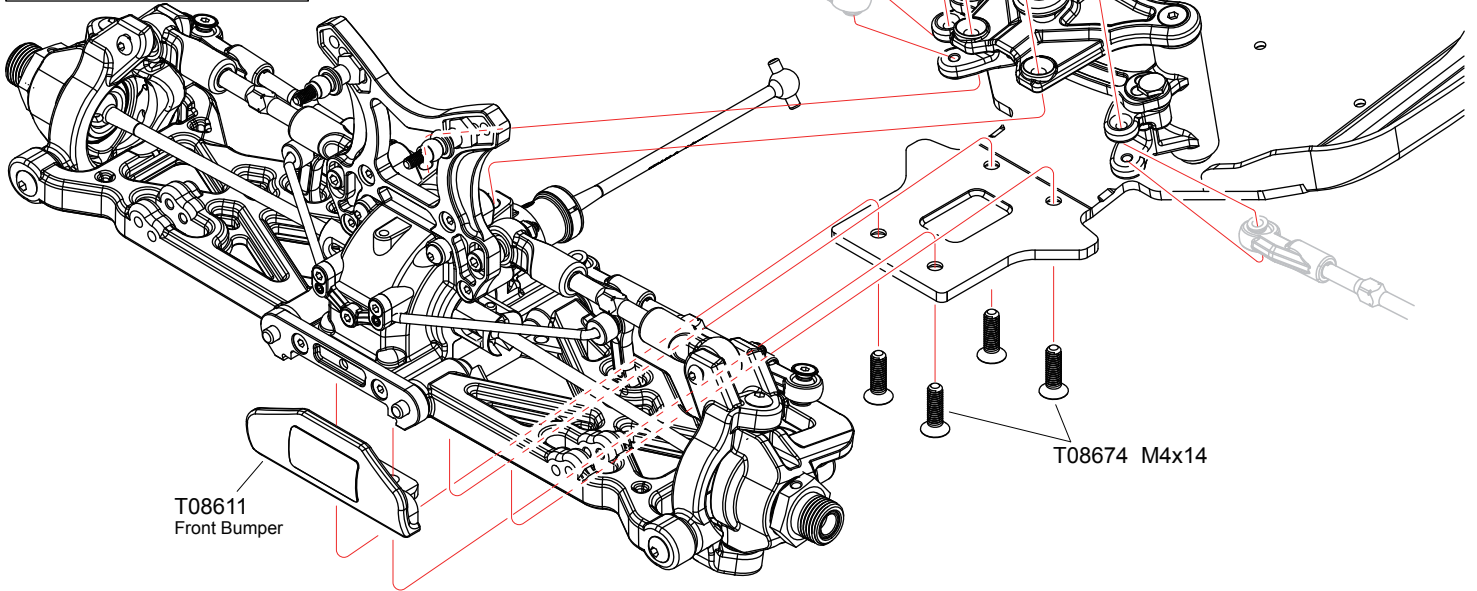
T08674 M3x18 Screw



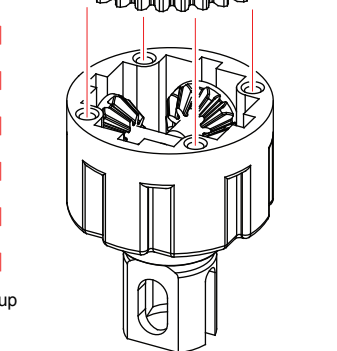
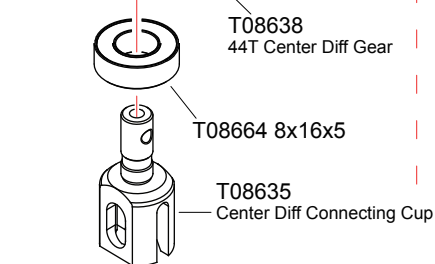
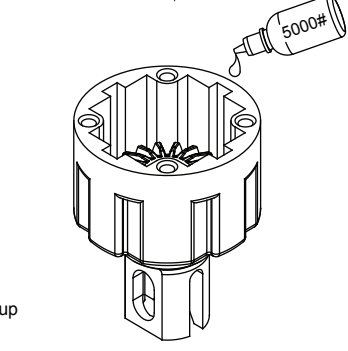
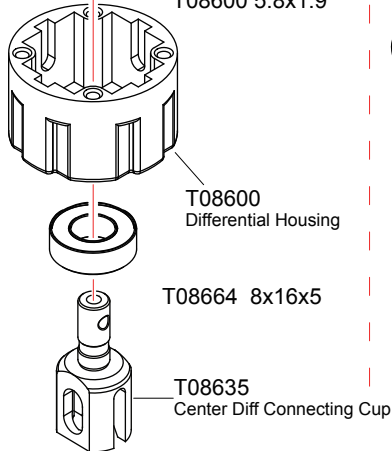
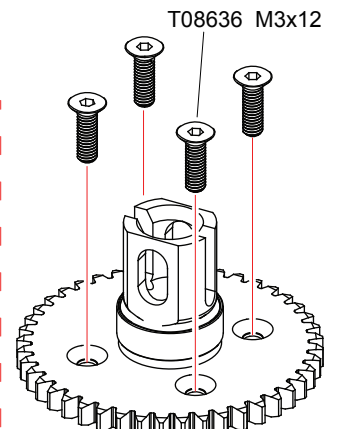
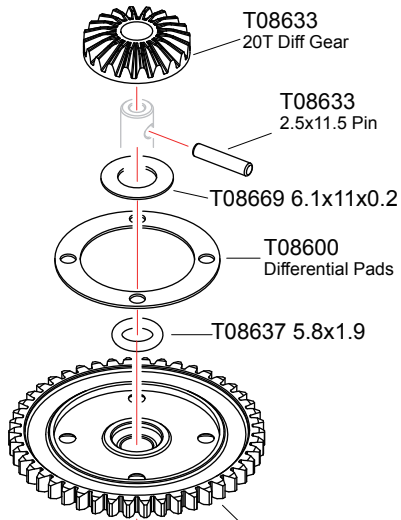
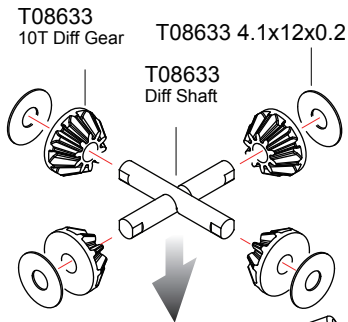
T08674 M4x10 Screw



T08674 M4x14 Screw



16 Center Differential Bag-C



T08600/T08636 5.8x1.9 O-Ring T08633 4.1x12x0.2 Washer T08669 6.1x11x0.2 Washer T08664 8x16x5 Ball Bearing T08636 M3x12 Screw



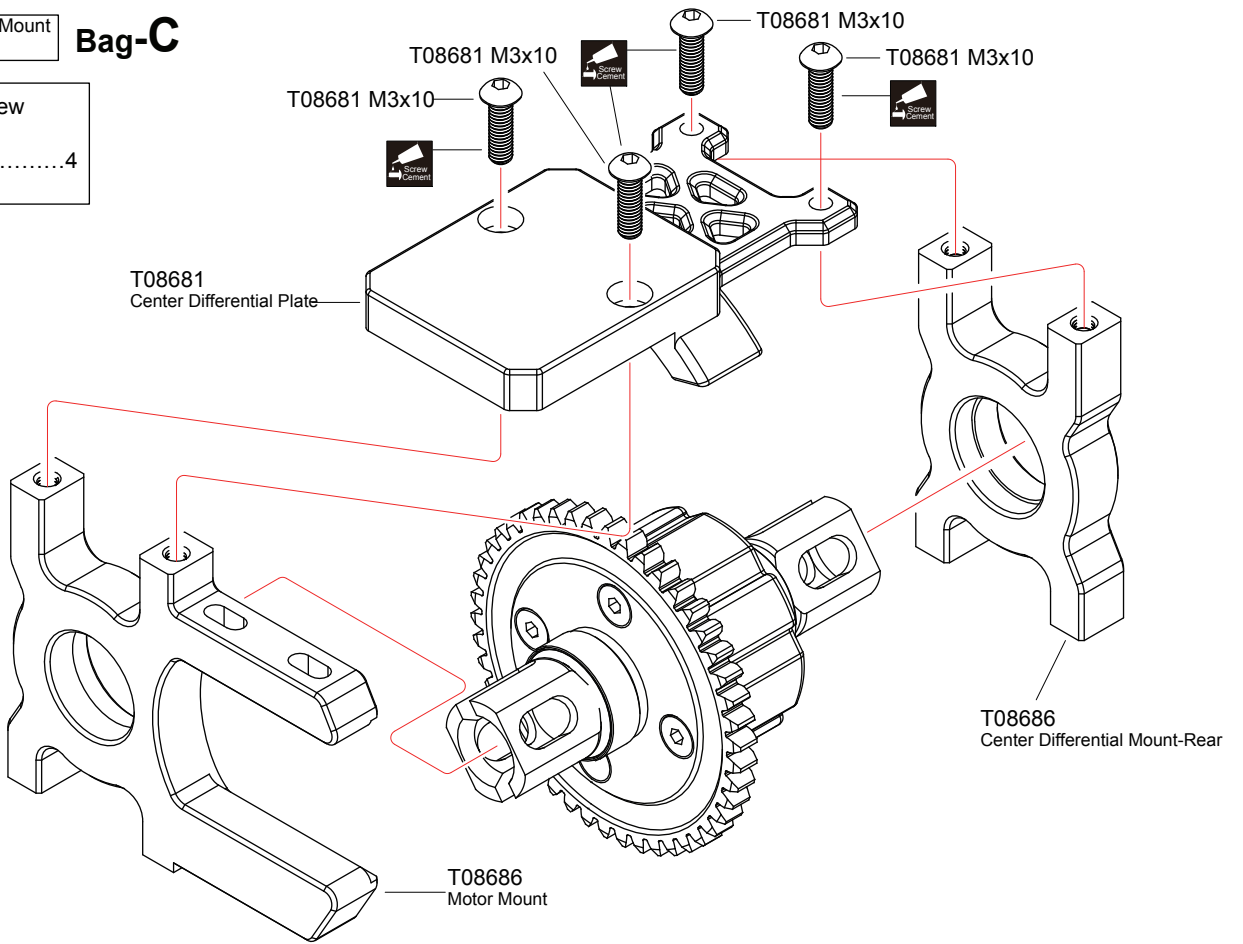
17 Center Differential Mount

Bag-C

T08681 M3x10 Screw



T08681
Center Differential Plate

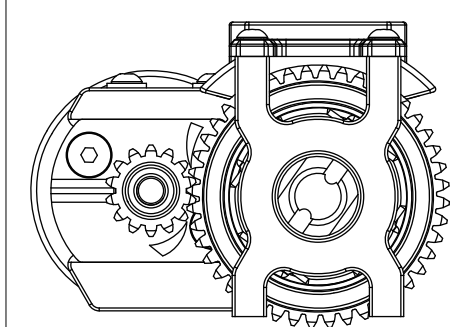


18 Motor

Bag-C

X Motor

T08686
Motor Mount



Tighten the screws with one sheet of paper inserted between both gears.

T08686 M3x12 Screw



T08686 M3x14 Screw



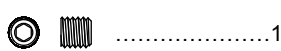
T08686 M4x14 Screw



T08686 3x7x0.8 Washer



H396 M4x4 Screw



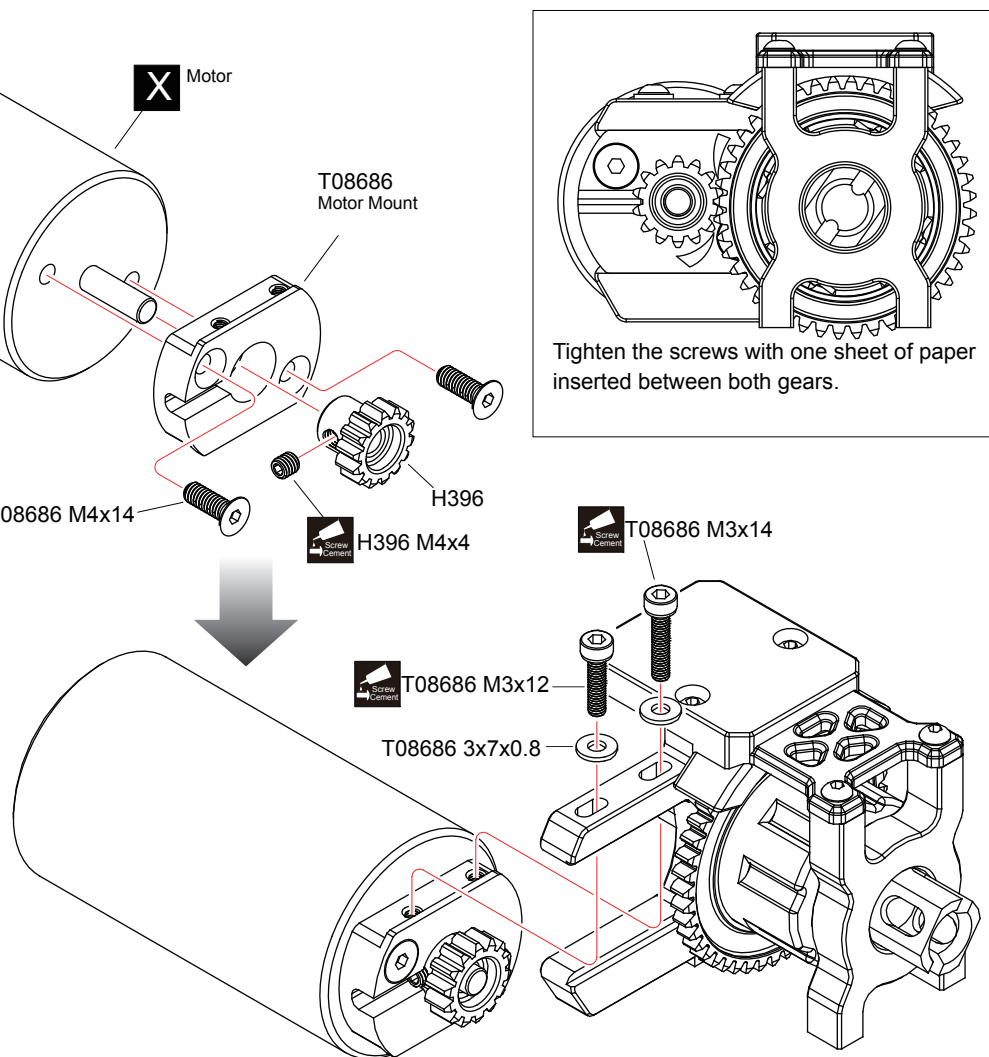
T08686 M4x14

H396
H396 M4x4

T08686 M3x14

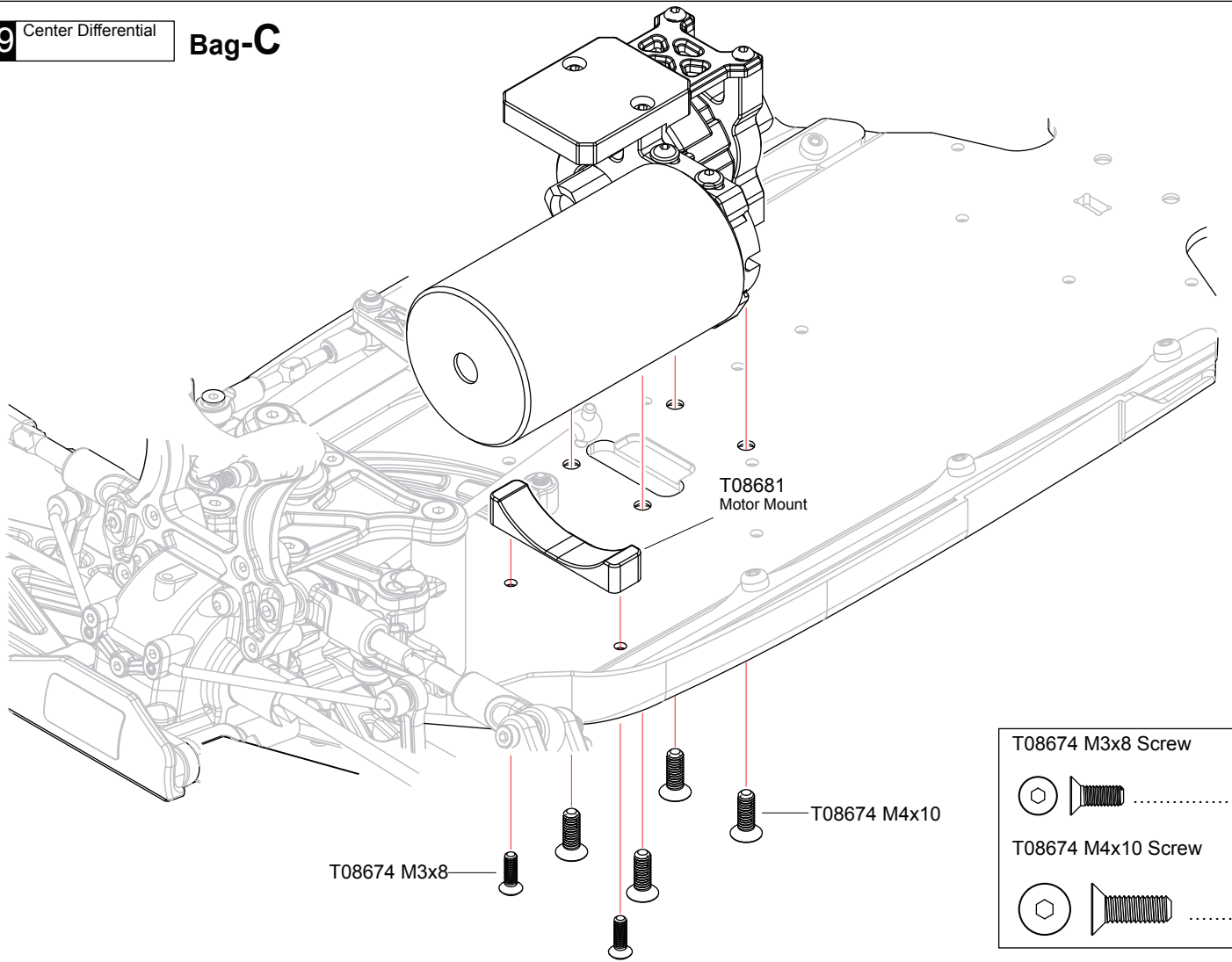
T08686 M3x12


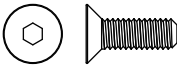
T08686 3x7x0.8

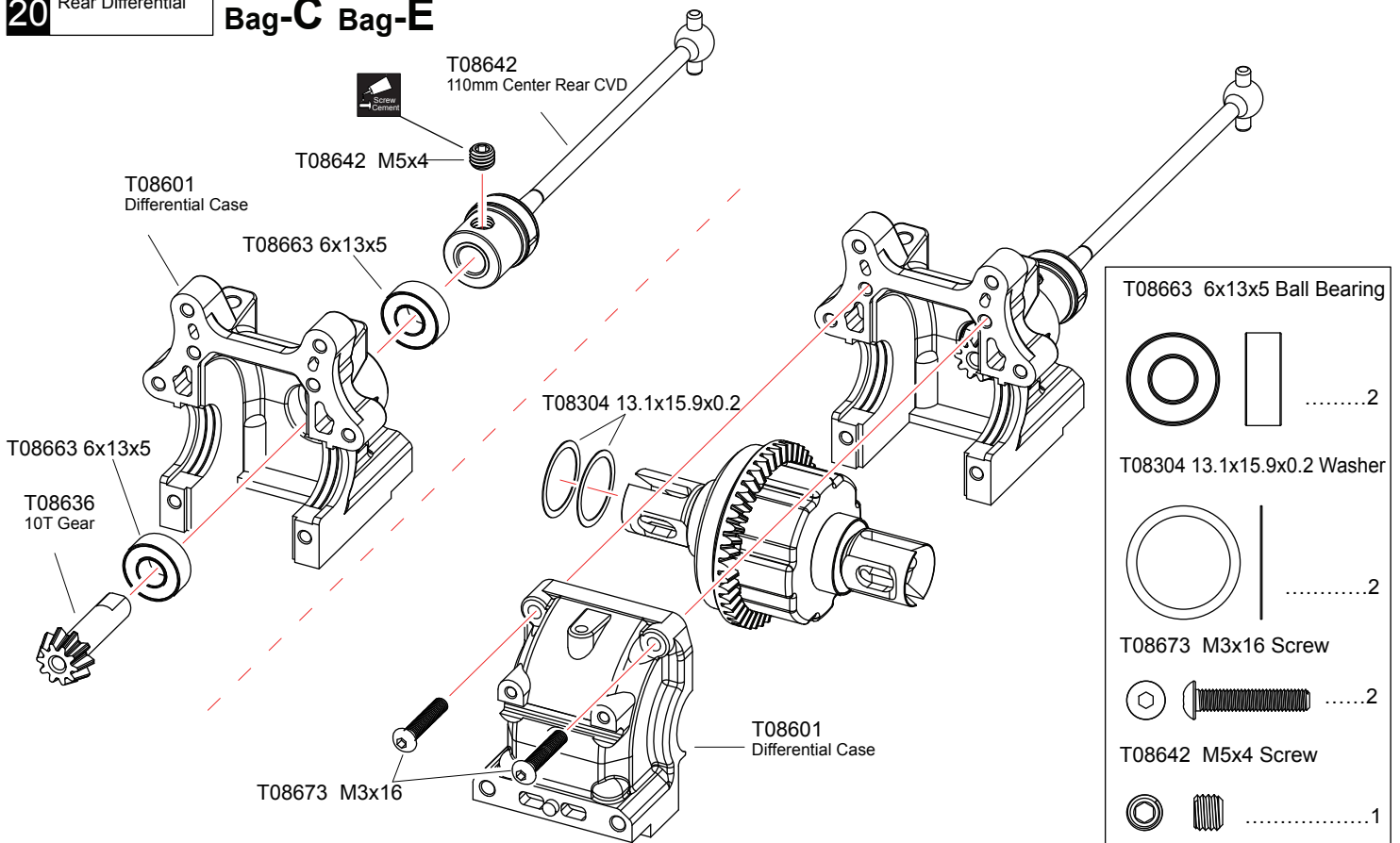



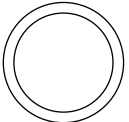


Apply threadlockt

X Must be purchased separately



- T08674 M3x8 Screw
2
- T08674 M4x10 Screw
4



- T08663 6x13x5 Ball Bearing
2
- T08304 13.1x15.9x0.2 Washer
2
- T08673 M3x16 Screw
2
- T08642 M5x4 Screw
1

21 Rear Swaybar **Bag-E**

T08601/T08606 M3x3 Screw

.....4

T08601 M2.5x8 Screw

.....3

T08606 6.8 Ball stud-Swaybar

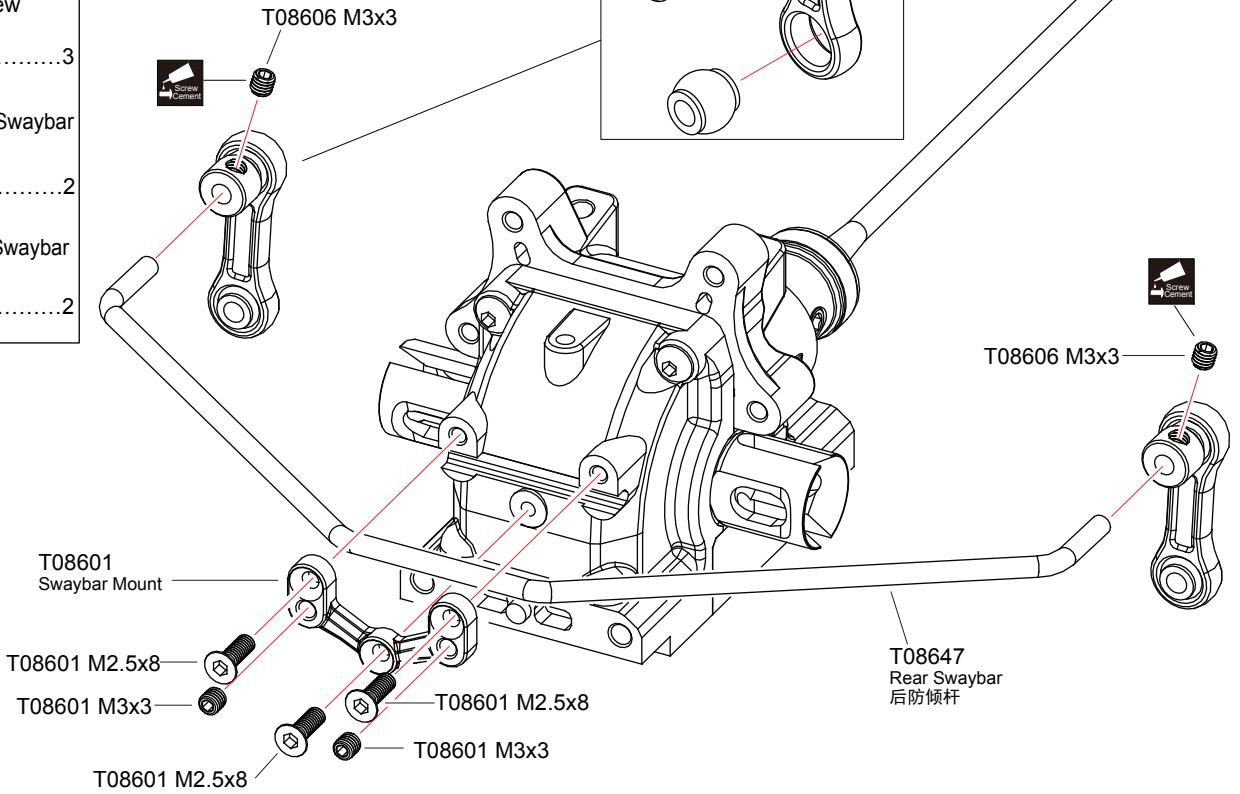
.....2

T08606 6.8 Ball stud-Swaybar

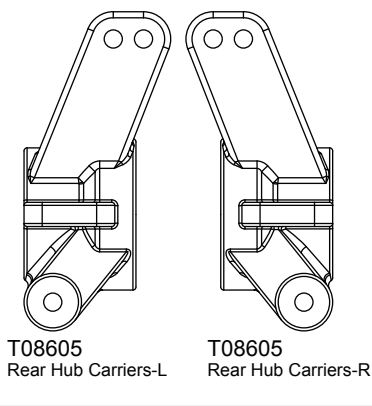
.....2

T08606

x2

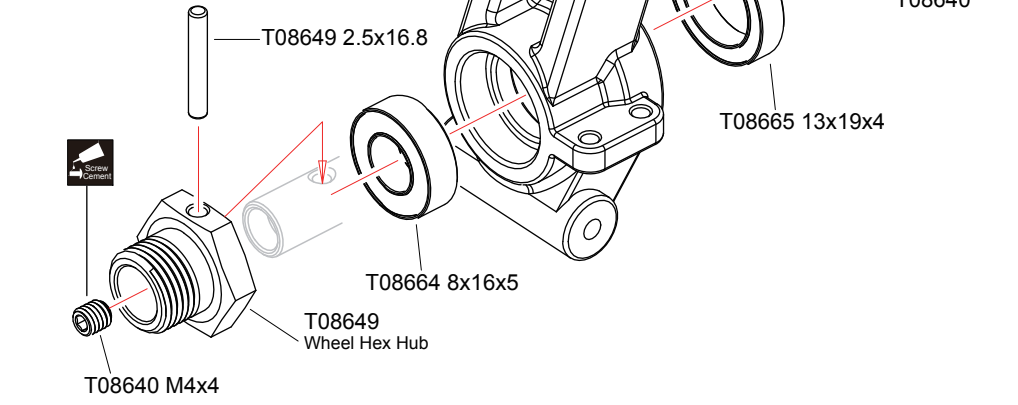


22 Rear Hub Carrie **Bag-E**



T08605 Rear Hub Carriers-L

T08605 Rear Hub Carriers-R



T08640 94mm Rear CVD

- T08640 2.5x12.8 Pin2
- T08640 5x8.5 CVD Shaft2
- T08665 13x19x4 Ball Bearing
- T08664 8x16x5 Ball Bearing2
- T08649 2.5x16.8 Pin2
- T08640 M4x4 Screw2



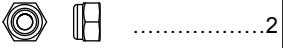
Apply threadlock

x2 Assemble as many times as specified

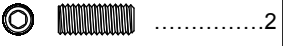
23 Rear Hub Carrier

Bag-E

T08666 M3 Nylon Nut



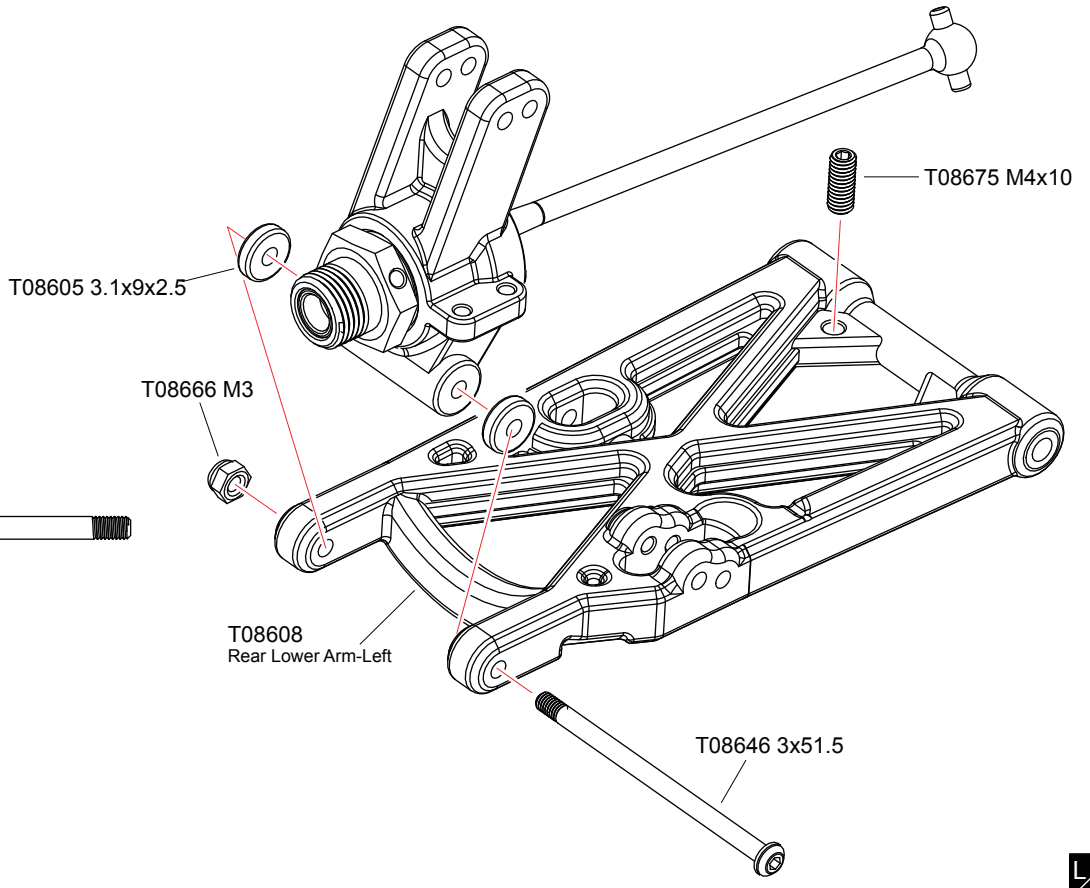
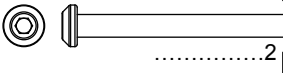
T08675 M4x10 Screw



T08605 3.1x9x2.5 Plastic Washer

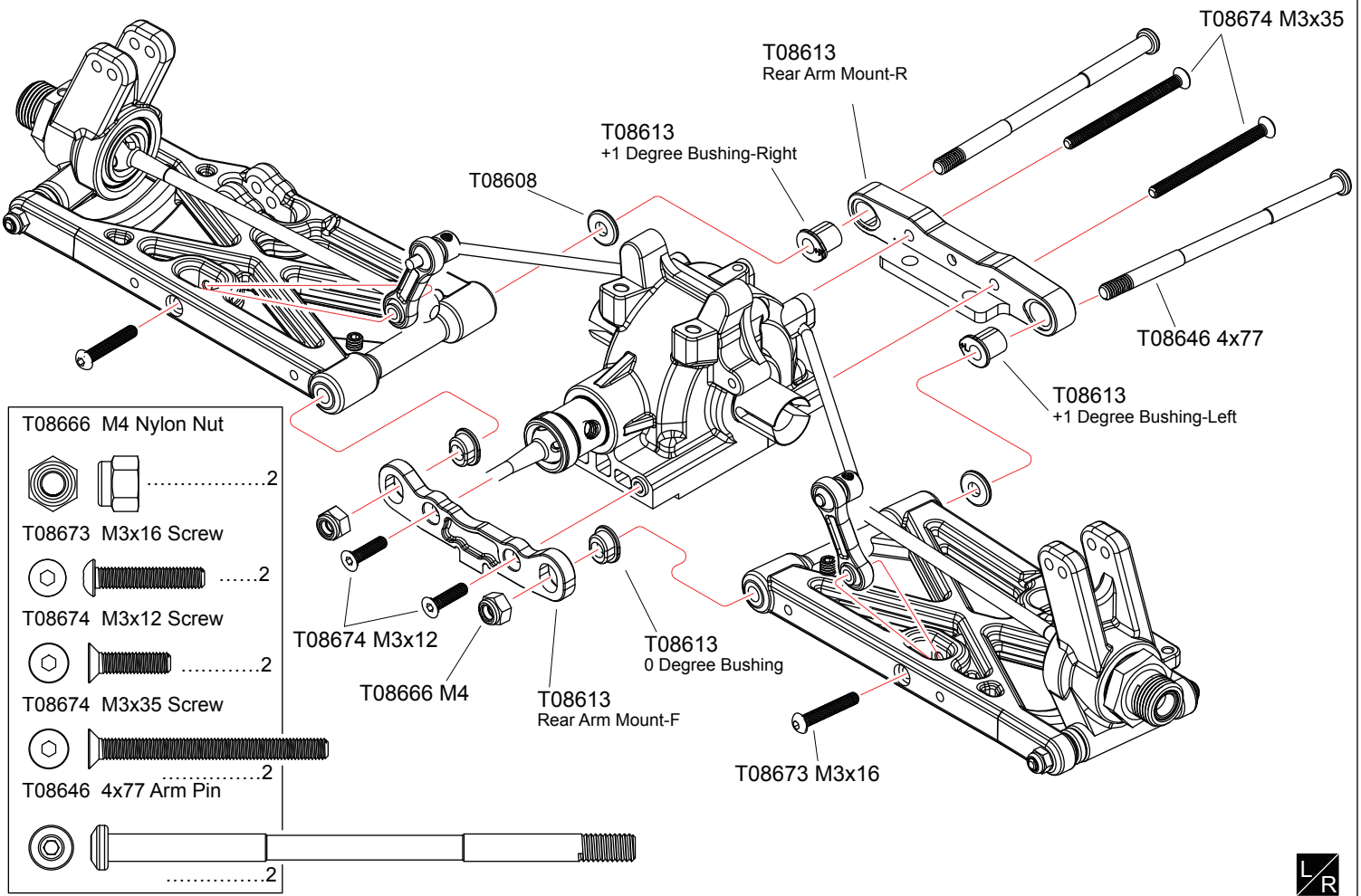


T08646 3x51.5 Arm Pin



24 Rear Suspension

Bag-E



Apply threadlock

Assemble both Left and Right

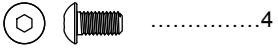
25 Rear Shock Tower

Bag-E

T08674 M3x10 Screw



T08673 M3x6 Screw



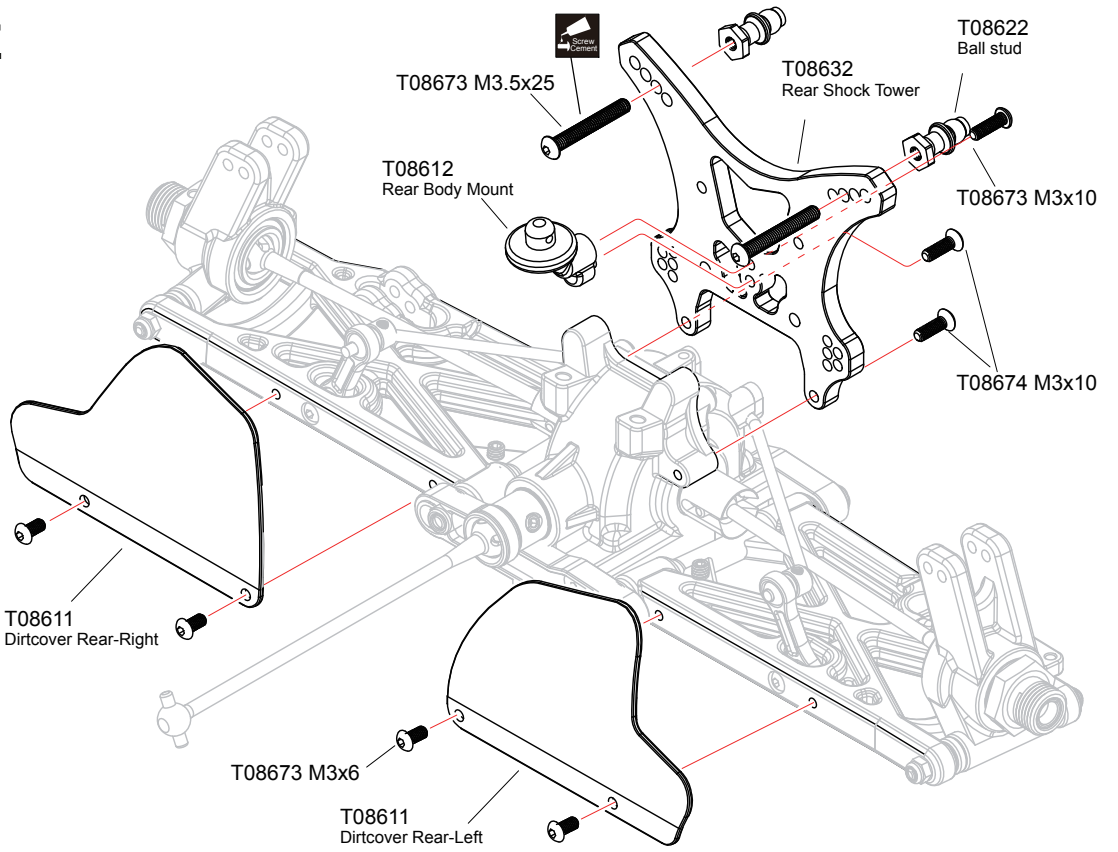
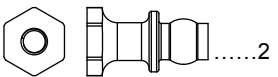
T08673 M3x10 Screw



T08673 M3.5x25 Screw



T08622 Shock cap ball



26 Wing Mount

Bag-E

T08673 M3x16

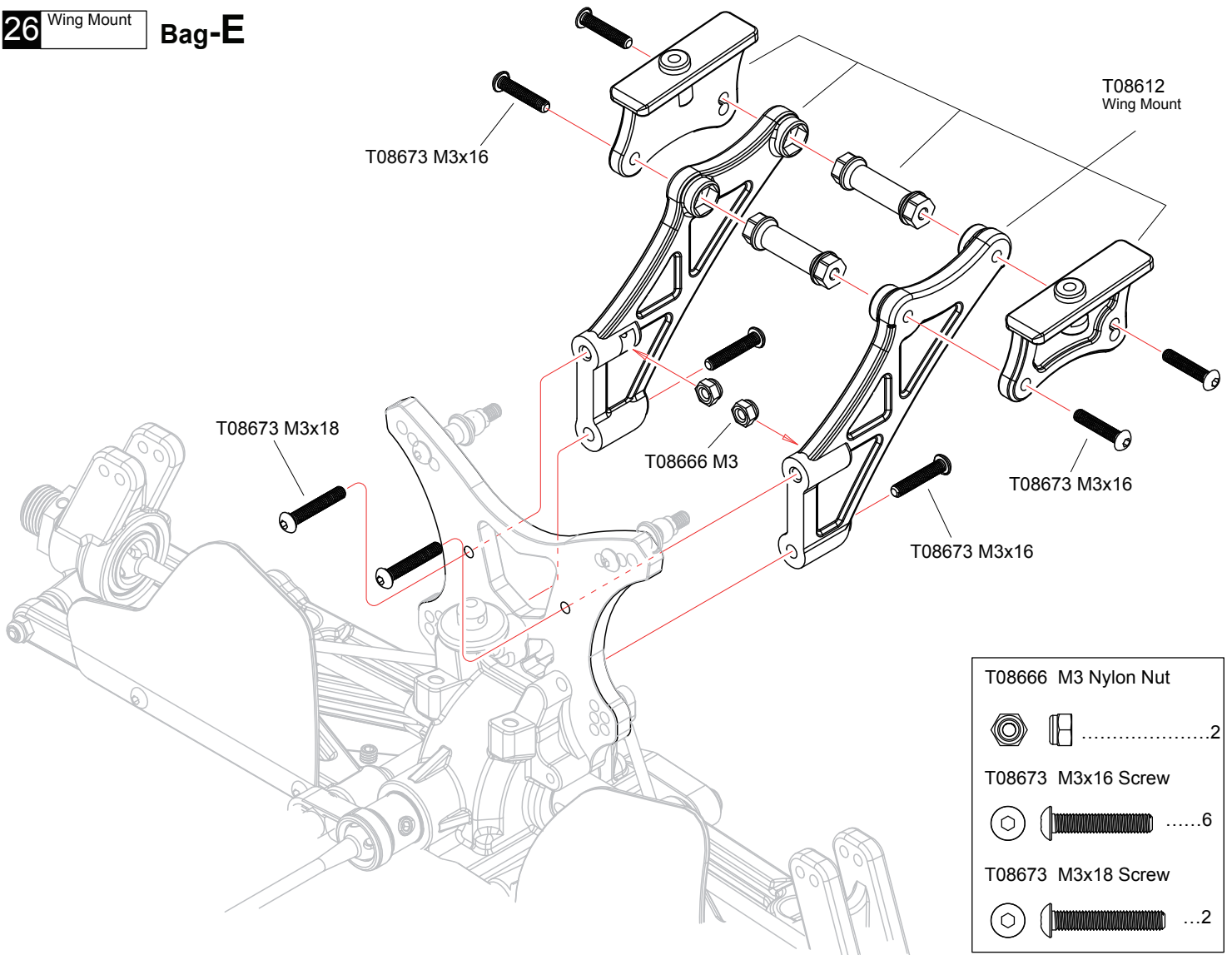
T08612 Wing Mount

T08673 M3x18

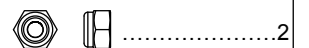
T08666 M3

T08673 M3x16

T08673 M3x16



T08666 M3 Nylon Nut



T08673 M3x16 Screw



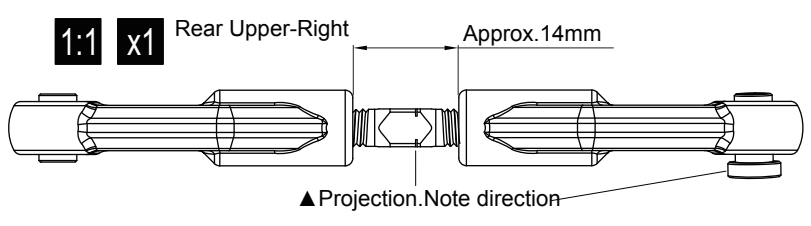
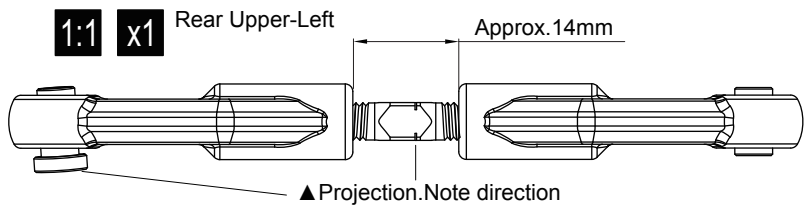
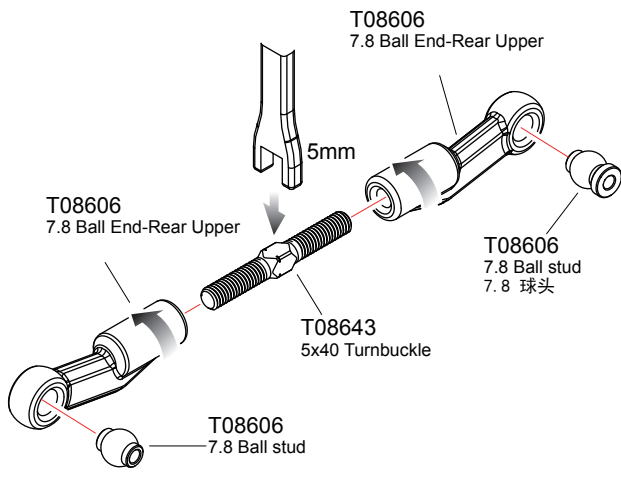
T08673 M3x18 Screw



Apply threadlock

27 Rear Upper Turnbuckle

Bag-E

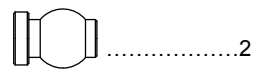
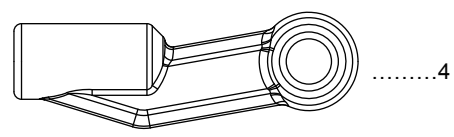
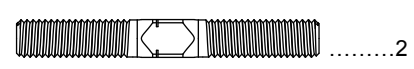


T08643 5x40 Turnbuckle

T08606 7.8 Ball End-Rear Upper

T08606 7.8 Ball stud

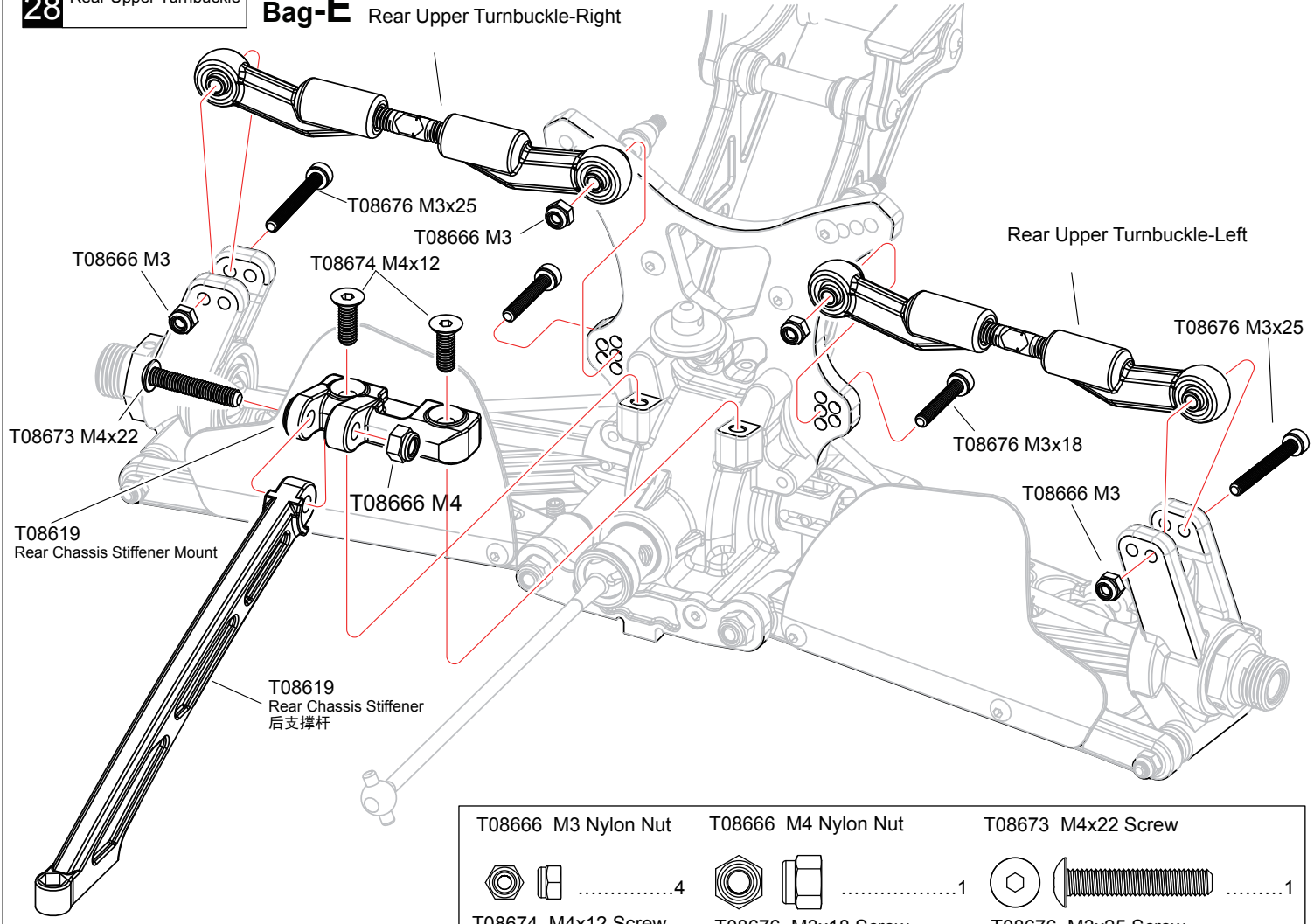
T08606 7.8 Ball stud



28 Rear Upper Turnbuckle

Bag-E

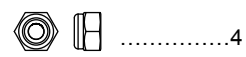
Rear Upper Turnbuckle-Right



T08666 M3 Nylon Nut

T08666 M4 Nylon Nut

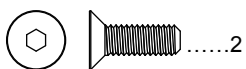
T08673 M4x22 Screw

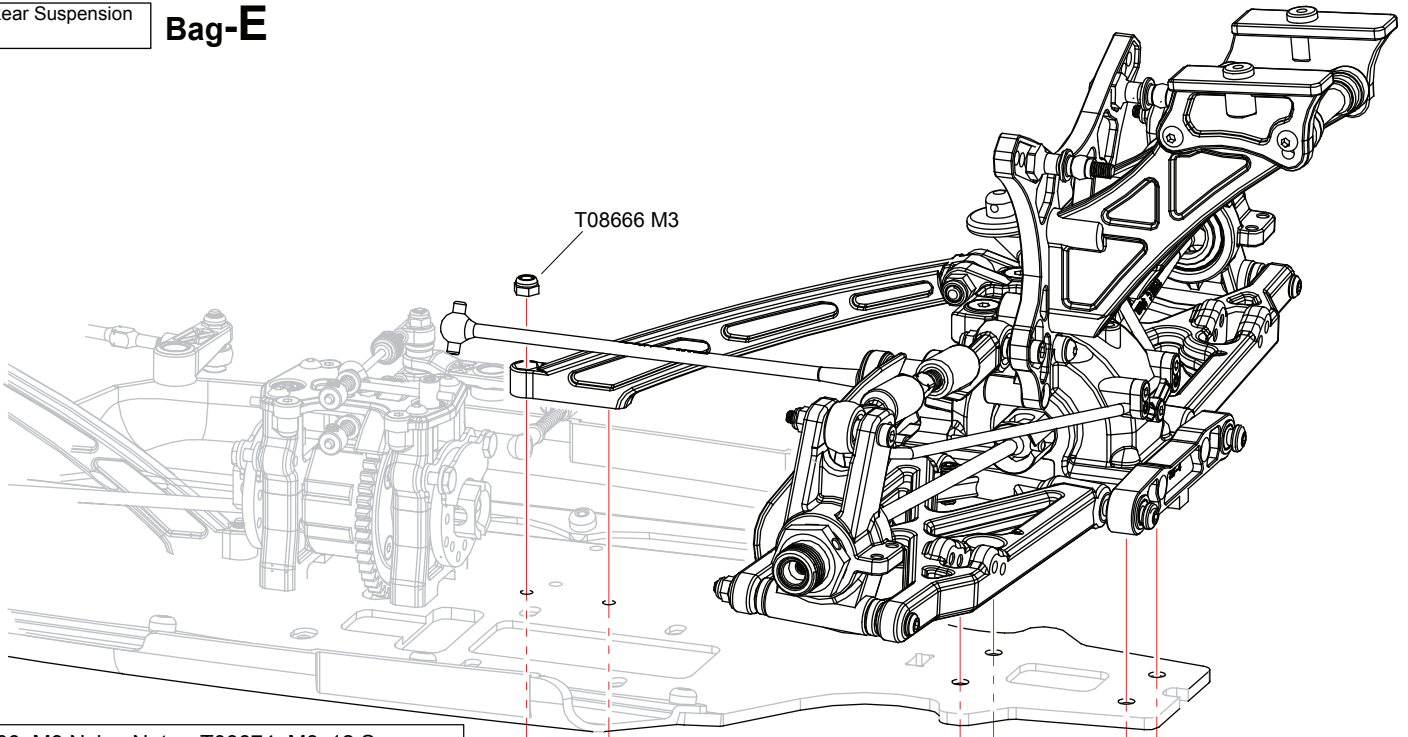


T08674 M4x12 Screw

T08676 M3x18 Screw

T08676 M3x25 Screw





T08666 M3

- | | |
|---------------------|--------------------|
| T08666 M3 Nylon Nut | T08674 M3x12 Screw |
|1 |1 |
| T08674 M3x10 Screw | T08674 M4x14 Screw |
|1 |4 |

T08674 M3x10
T08674 M3x12

T08674 M4x14

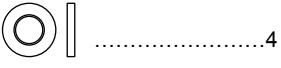
T08674 M4x14

F/**R** **x2**

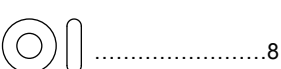
T08627 2.75mm Plastic Washer



T08627 1mm Plastic Washer



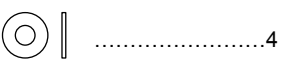
T08627 3.3x1.9 O-ring



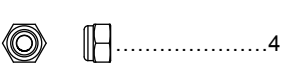
T08625/T08626 9x1.0 O-ring



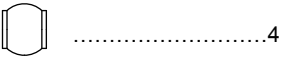
T08624 2.7x5.8x0.5 Washer



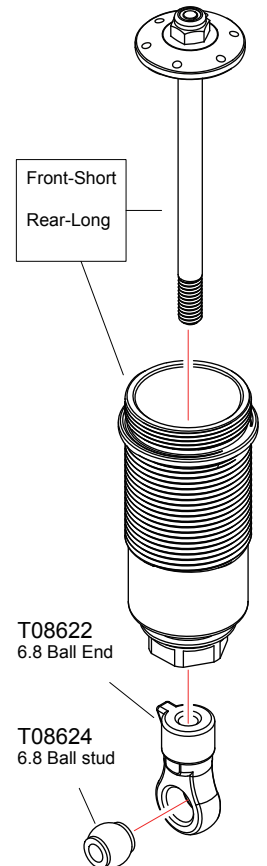
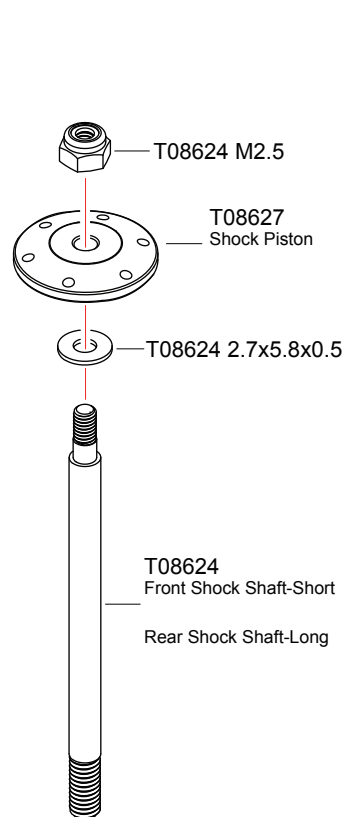
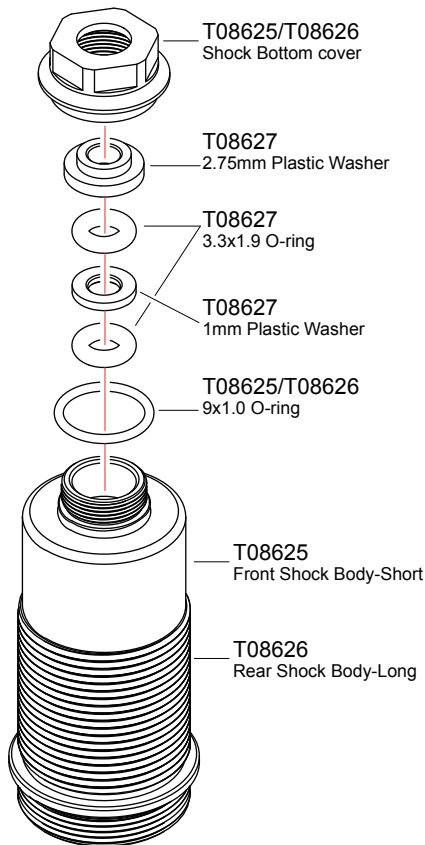
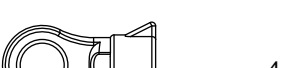
T08624 M2.5 Nylon Nut



T08624 6.8 Ball stud



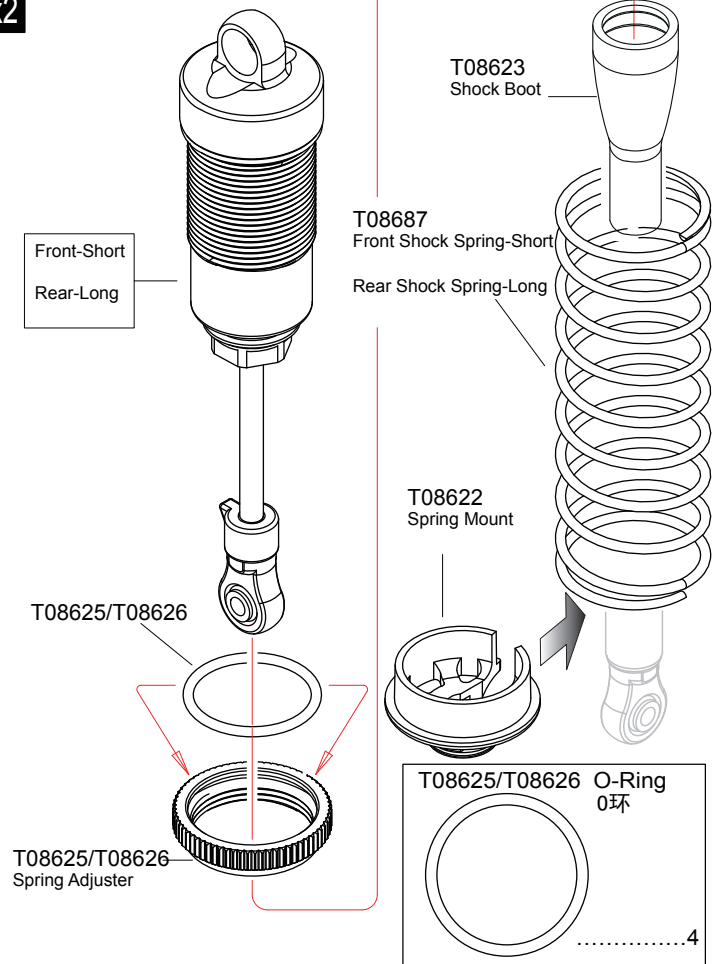
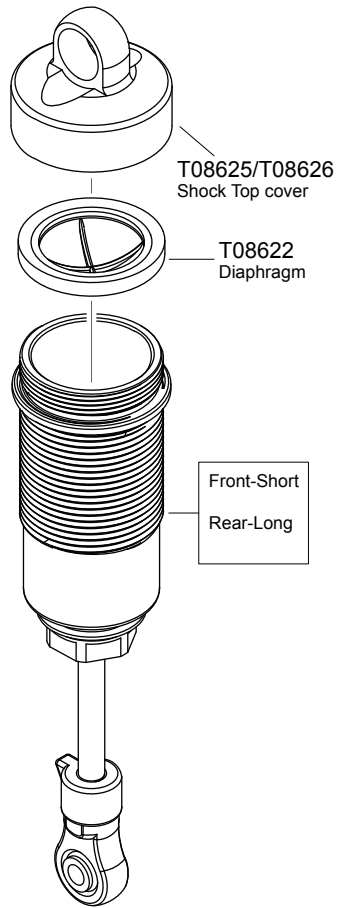
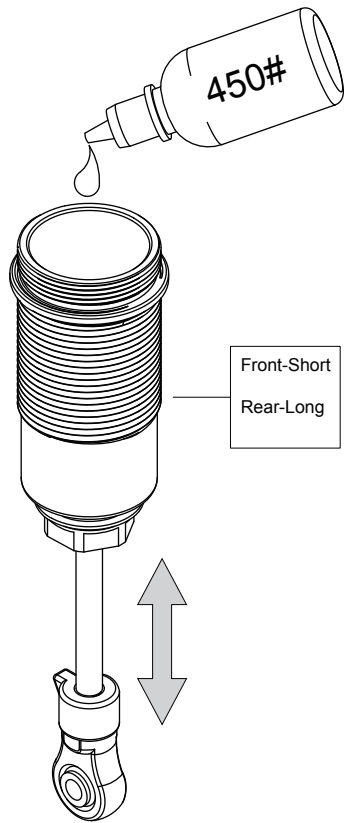
T08622 6.8 Ball End



31 Shock

Bag-F

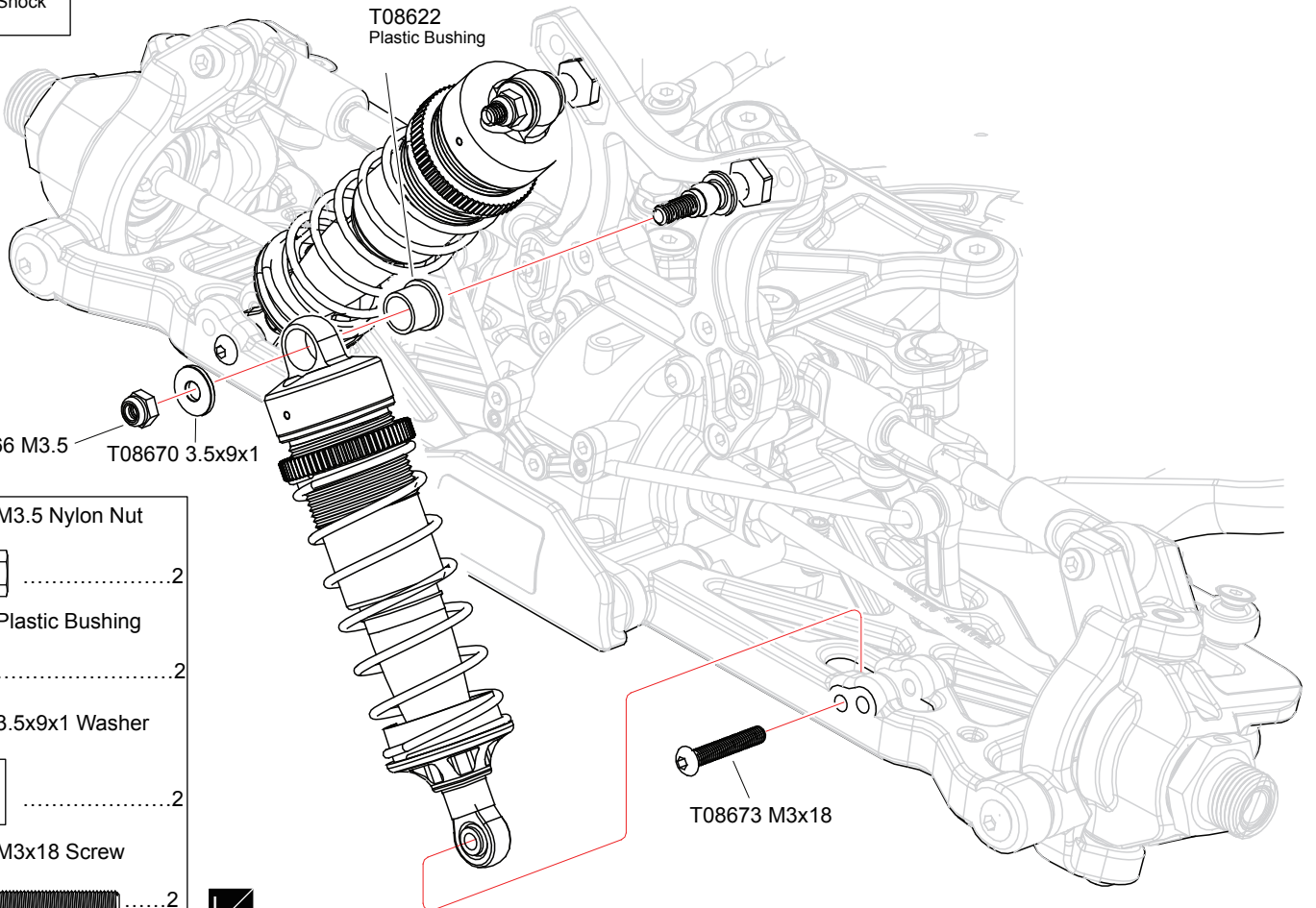
F/R **x2**



32 Front Shock

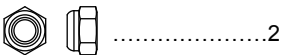
Bag-F

T08622 Plastic Bushing

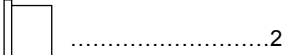


T08666 M3.5 T08670 3.5x9x1

T08666 M3.5 Nylon Nut



T08622 Plastic Bushing



T08670 3.5x9x1 Washer



T08673 M3x18 Screw



L/R

F/R

Assemble both Front and Rear

x2

Assemble as many times as specified

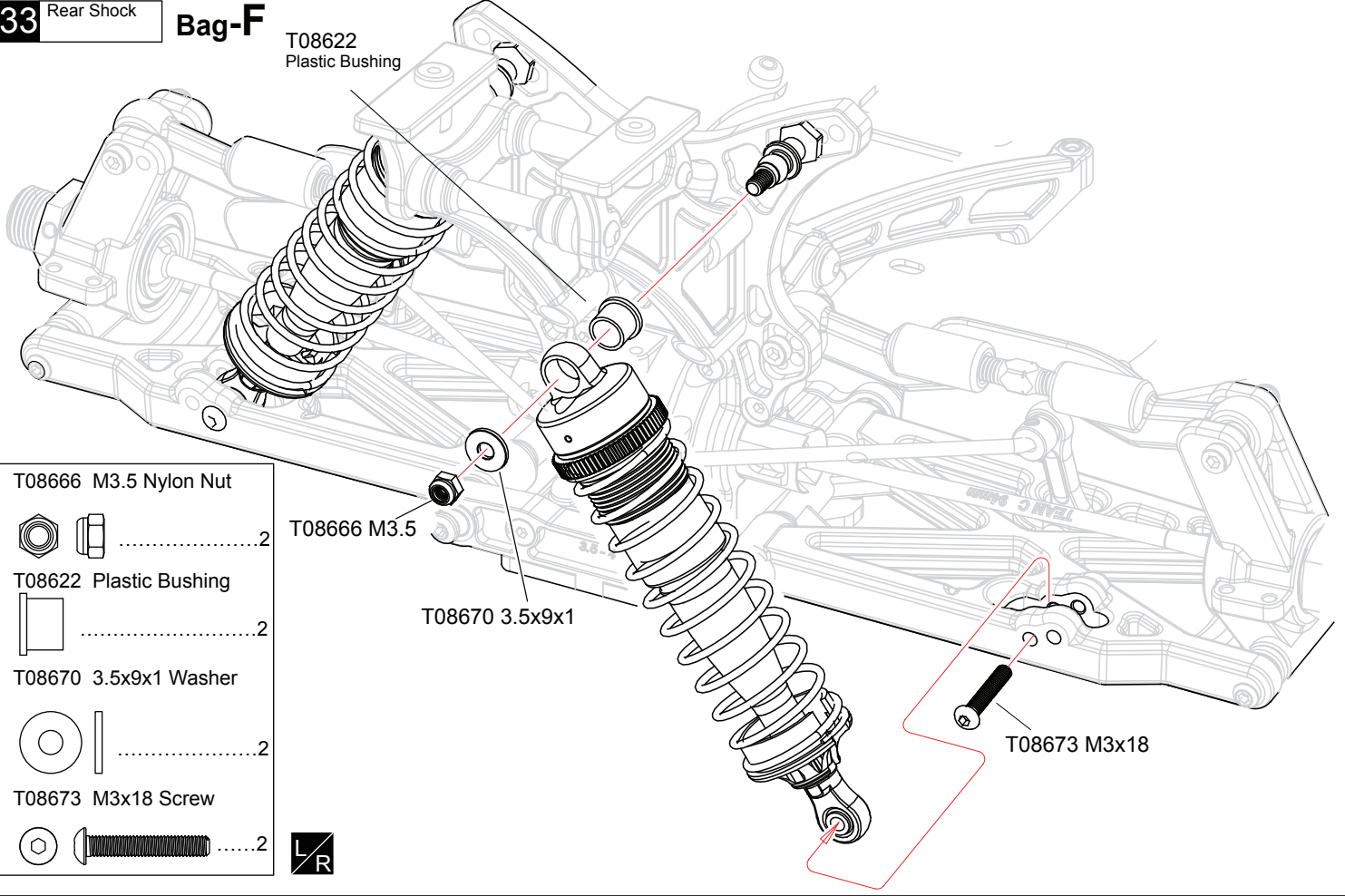
L/R

Assemble both Left and Right

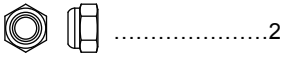
33 Rear Shock

Bag-F

T08622
Plastic Bushing

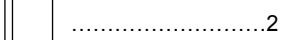


T08666 M3.5 Nylon Nut



2

T08622 Plastic Bushing



2

T08670 3.5x9x1 Washer



2

T08673 M3x18 Screw



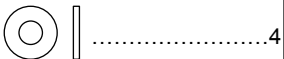
2



34 Receiver/Servo

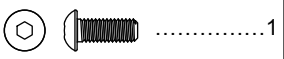
Bag-B Bag-J

T02081 3x7x0.8 Washer



4

T08673 M3x8 Screw



1

T08793 M3x15 Screw



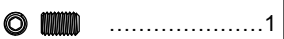
4

T08674 M3x8 Screw

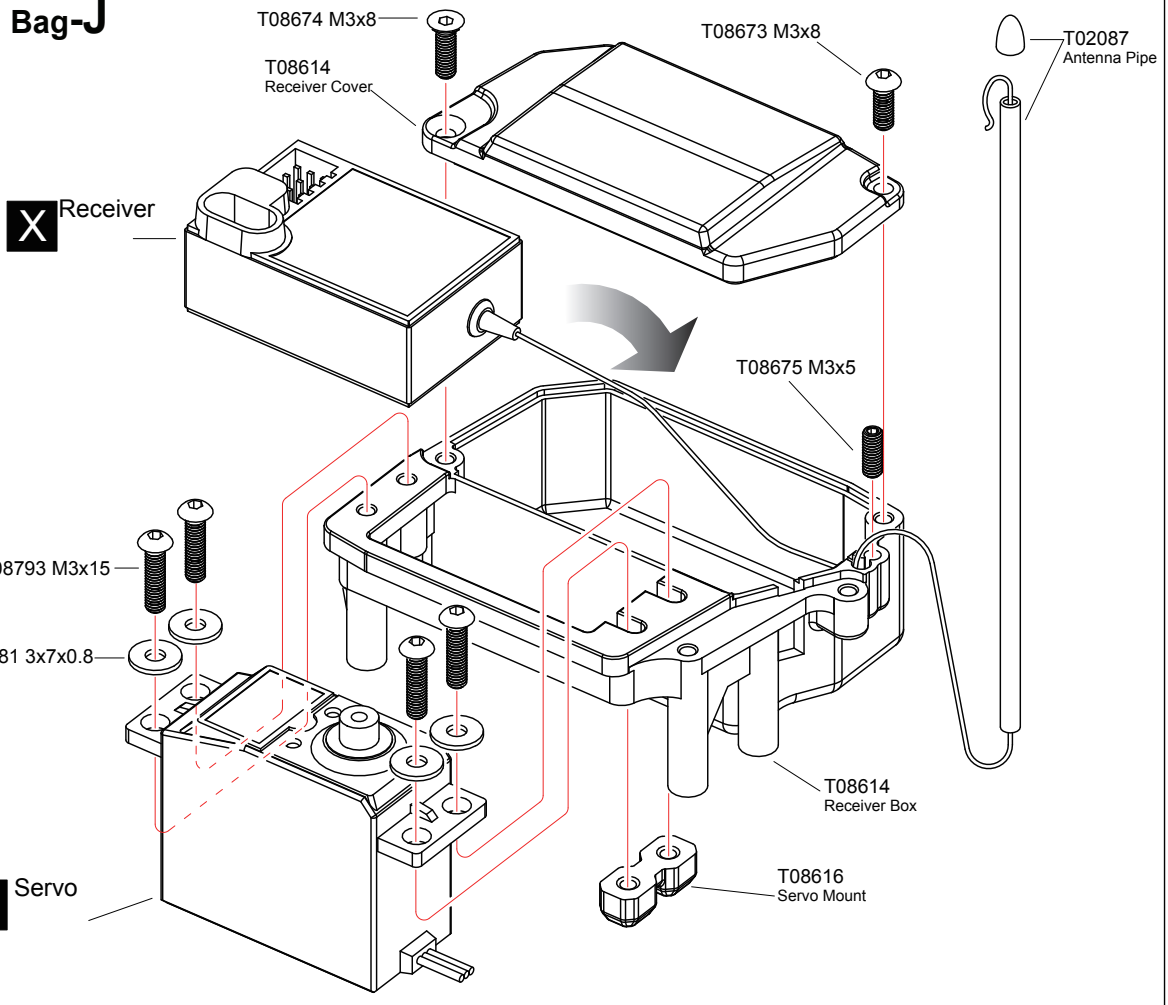


1

T08675 M3x5 Screw



1



X Receiver

T08793 M3x15

T02081 3x7x0.8

X Servo

T08674 M3x8

T08614 Receiver Cover

T08673 M3x8

T08675 M3x5

T08614 Receiver Box


T08616 Servo Mount

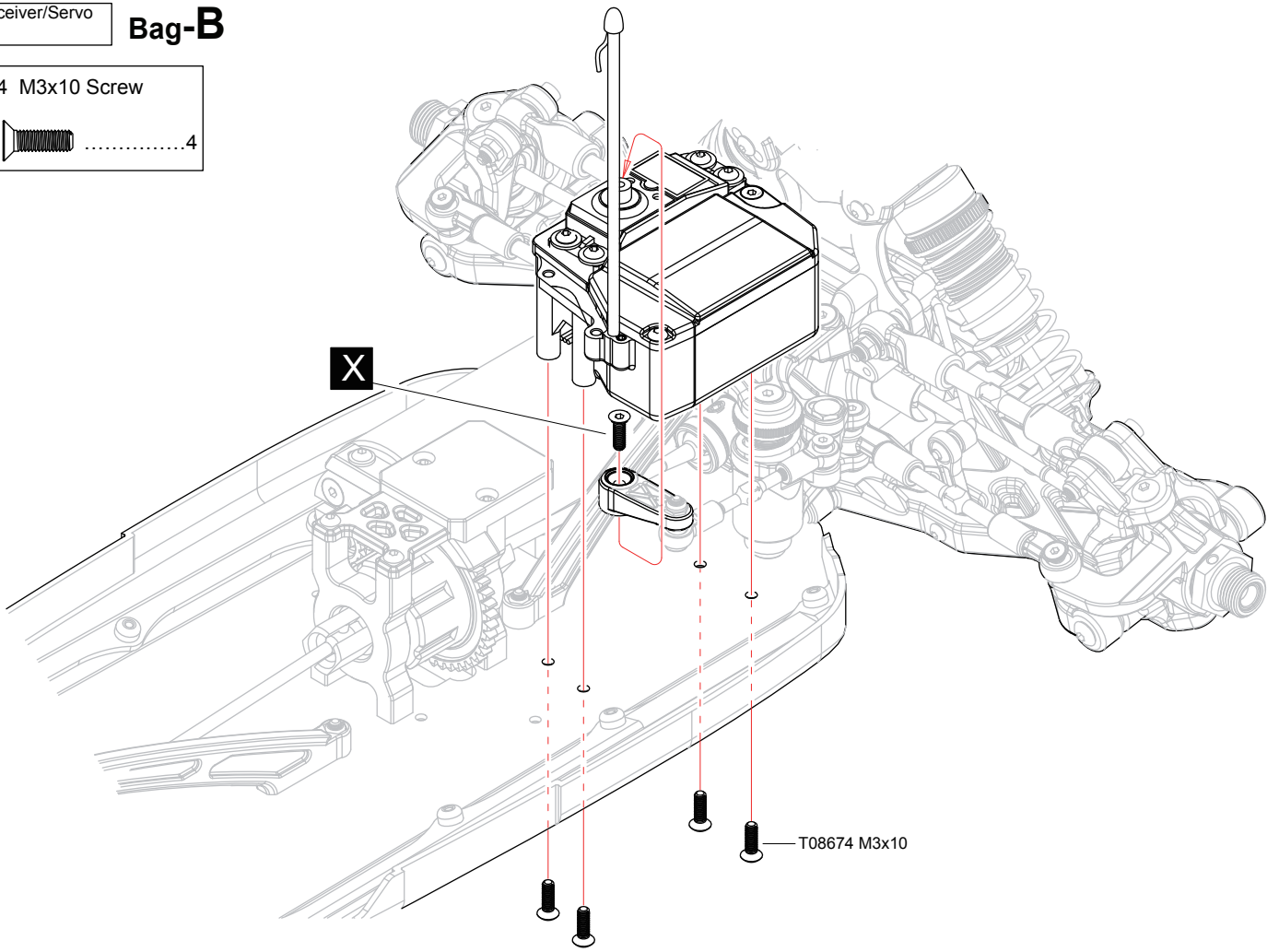
T02087 Antenna Pipe

Assemble both Left and Right

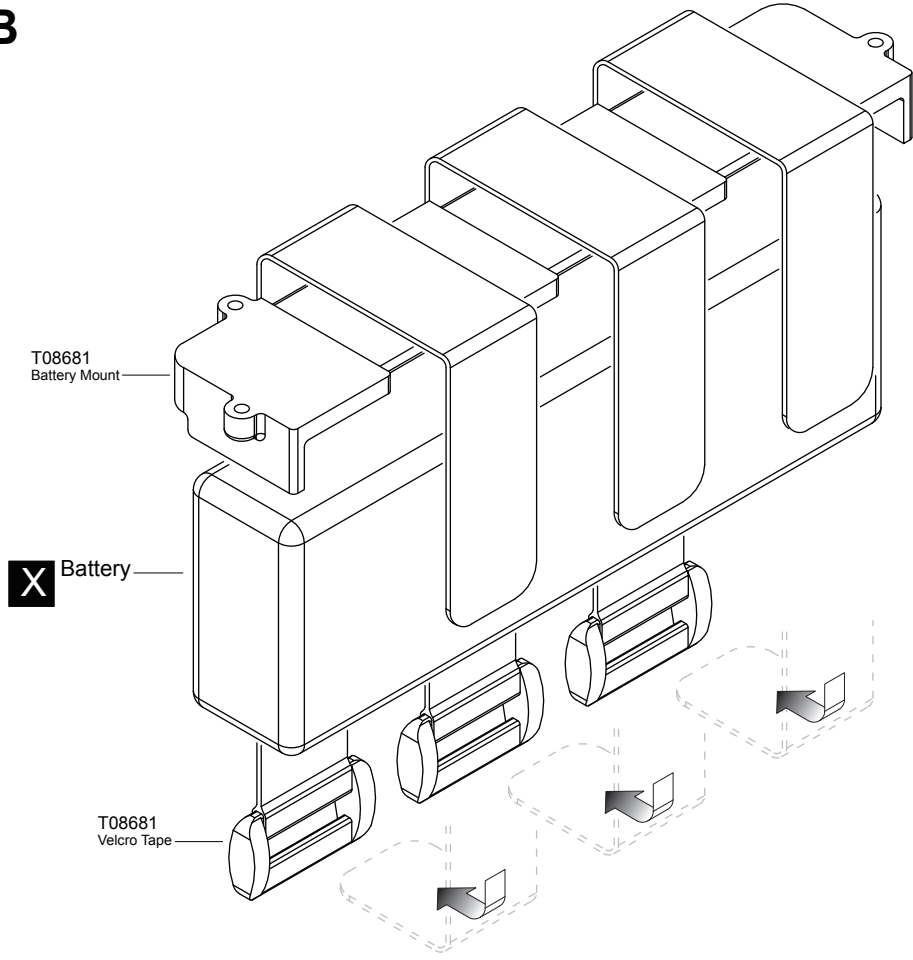
X Must be purchased separately

35 Receiver/Servo **Bag-B**

T08674 M3x10 Screw
 4



36 Battery **x2** Bag-B

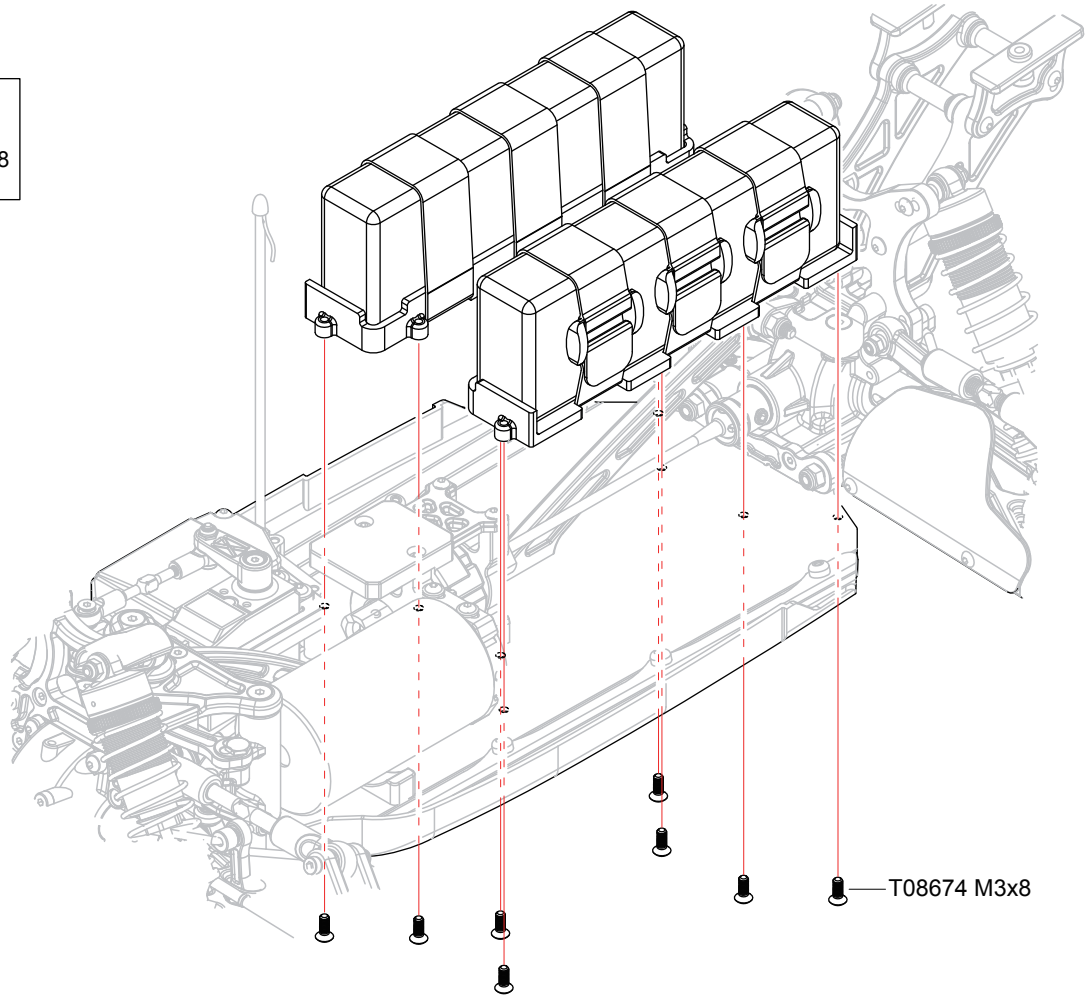


X Must be purchased separately

x2 Assemble as many times as specified

37 Battery **Bag-B**

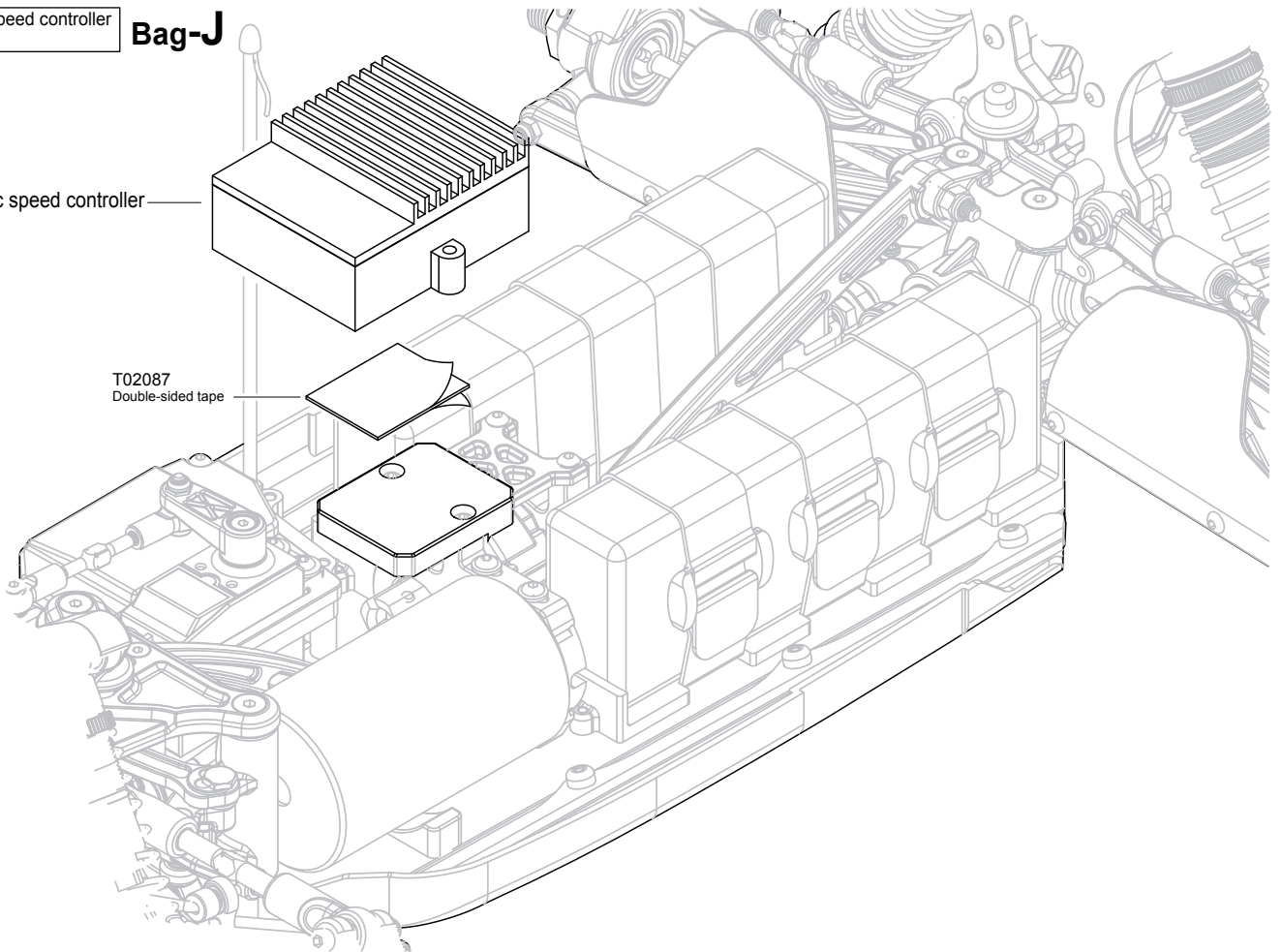
T08674 M3x8 Screw



38 Electronic speed controller **Bag-J**

X Electronic speed controller

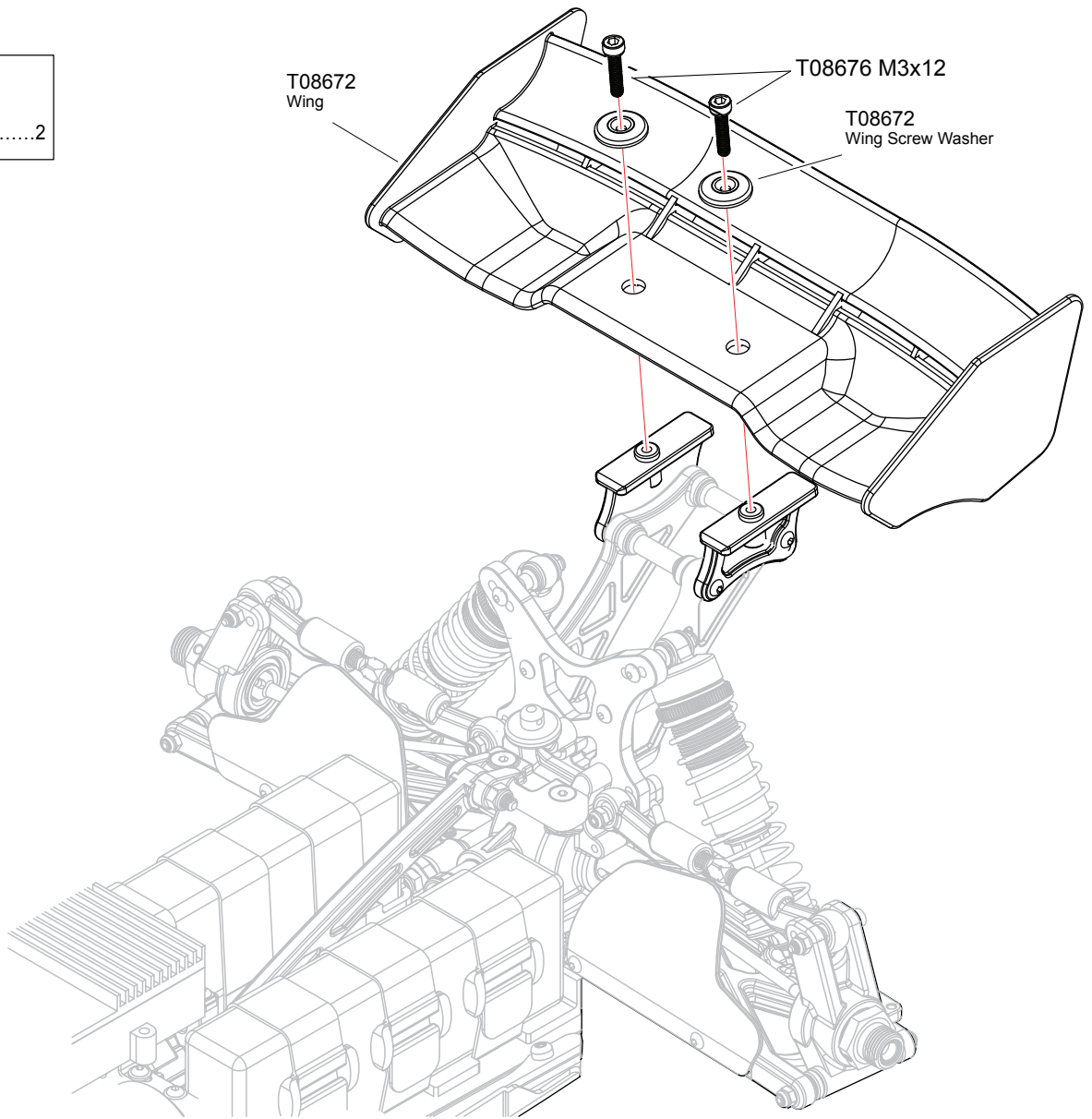
T02087
Double-sided tape



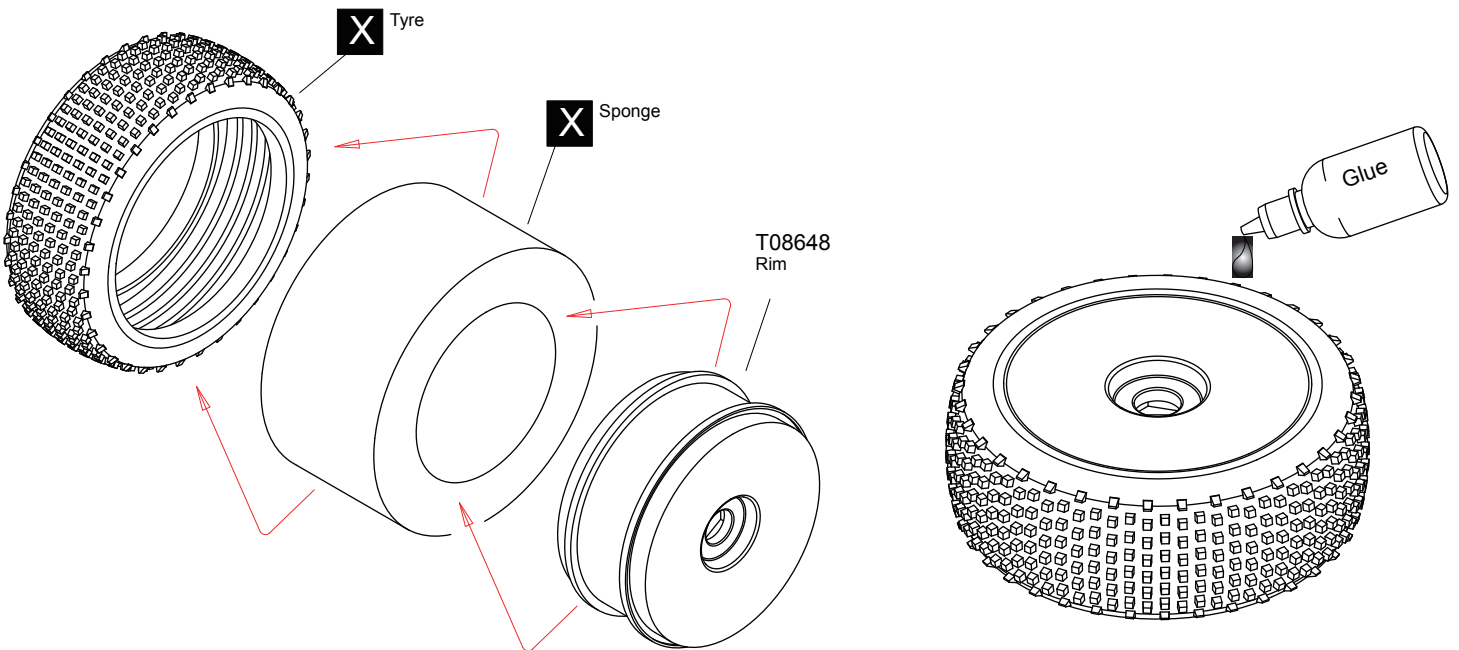
X Must be purchased separately

39 Wing **Bag-G**

T08676 M3x12 Screw



40 Tyre **x4 Bag-H**

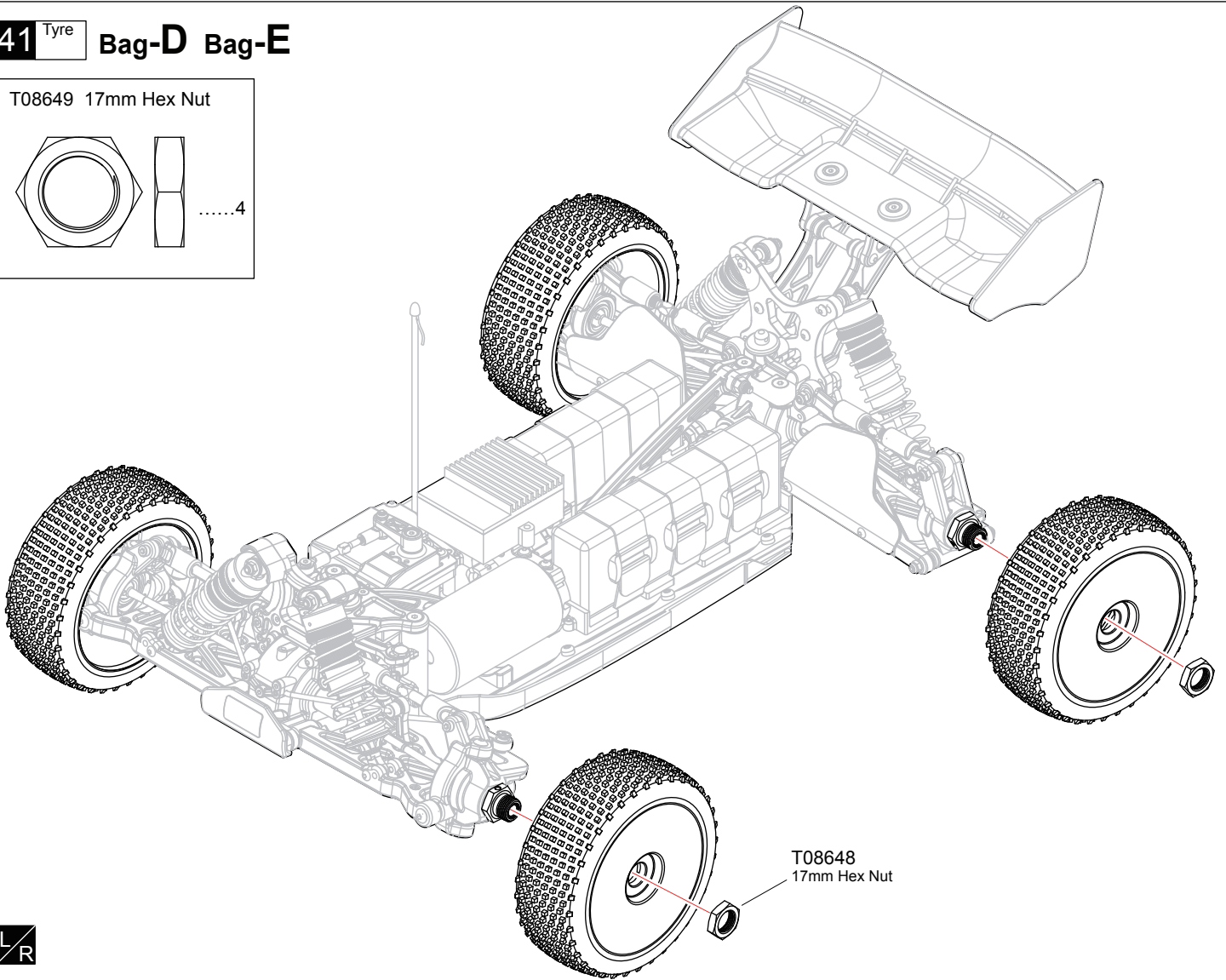
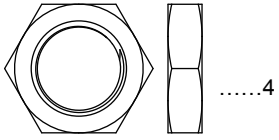


x4 Assemble as many times as specified

X Must be purchased separately

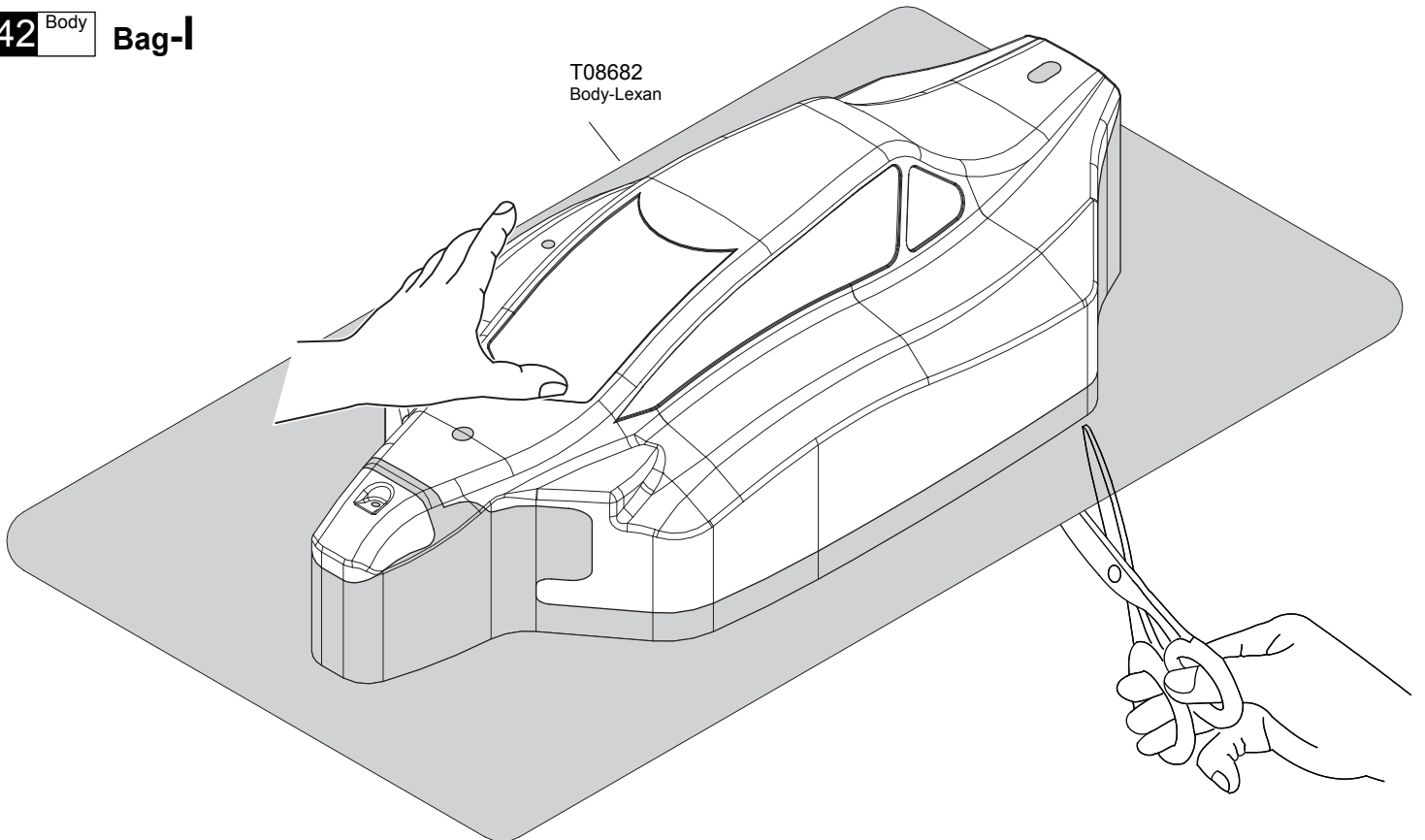
41 Tyre **Bag-D Bag-E**

T08649 17mm Hex Nut



42 Body **Bag-I**

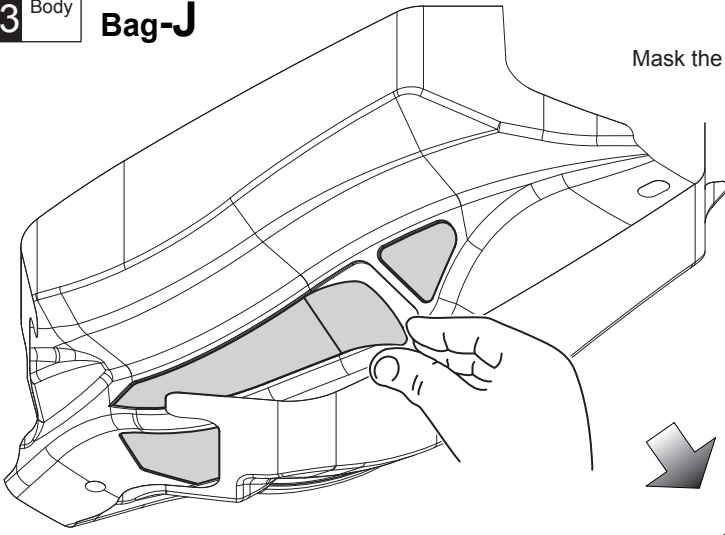
T08682
Body-Lexan



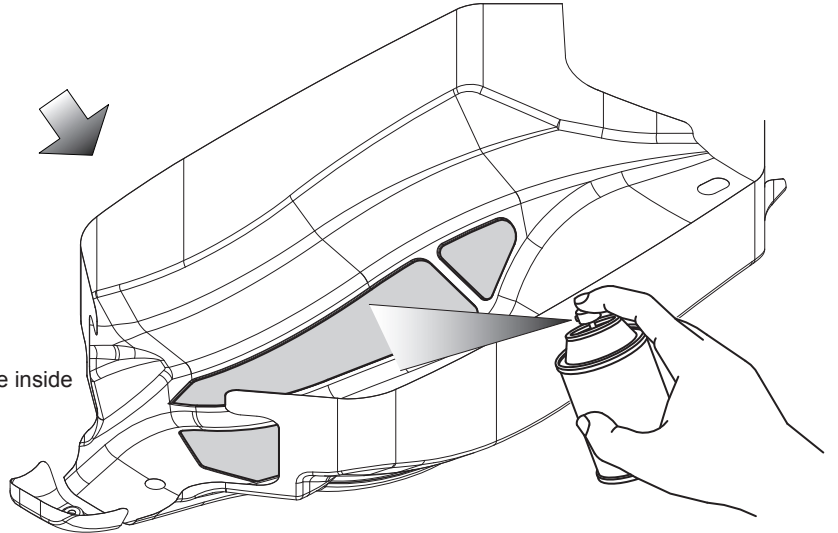
L/R Assemble both Left and Right

43 Body **Bag-J**

Mask the windows from the inside.

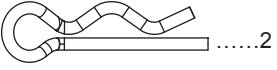


Paint the body shell from the inside using spray colors.



44 Body **Bag-J**

T08660 Mid Clip



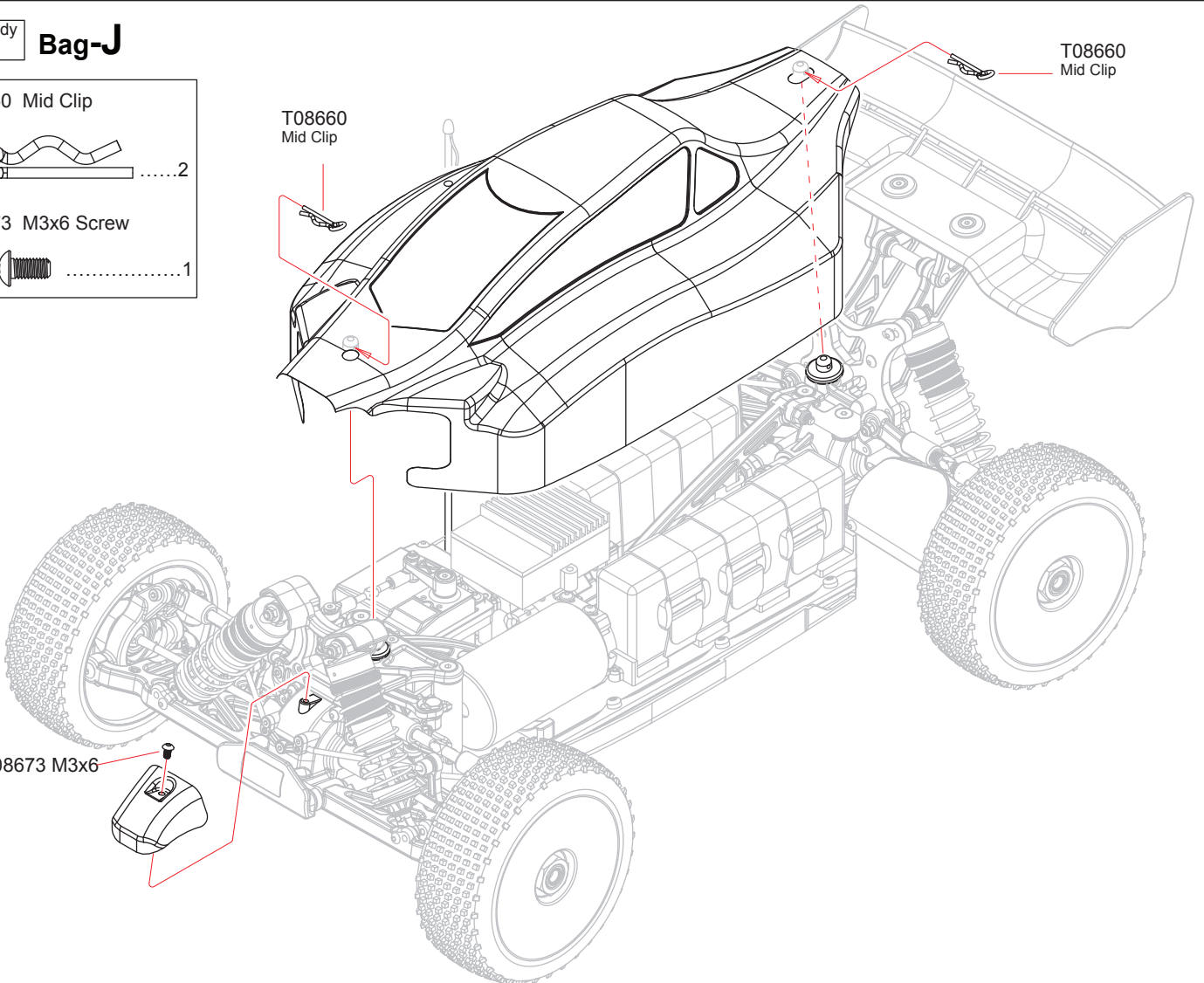
T08673 M3x6 Screw



T08660 Mid Clip

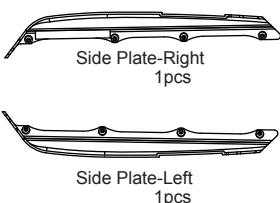
T08660 Mid Clip

T08673 M3x6



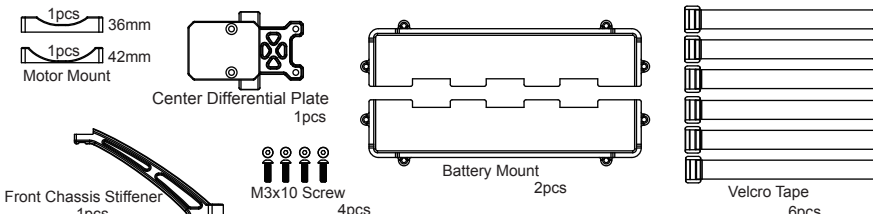
Parts list for T8E off-road buggy - 1

T08680



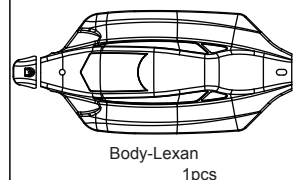
Side Plate-Right 1pcs
Side Plate-Left 1pcs

T08681



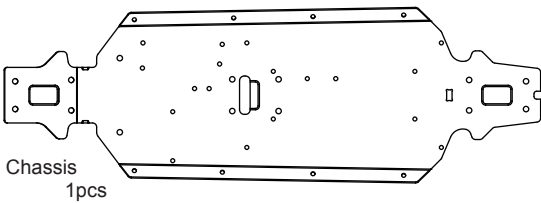
1pcs 36mm
1pcs 42mm
Motor Mount
Center Differential Plate 1pcs
Battery Mount 2pcs
Velcro Tape 6pcs
Front Chassis Stiffener 1pcs
M3x10 Screw 4pcs

T08682



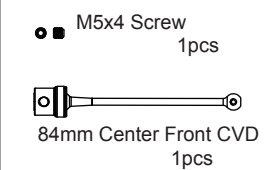
Body-Lexan 1pcs

T08683



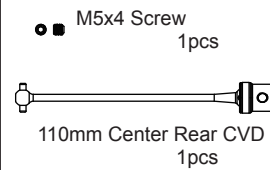
Chassis 1pcs

T08641



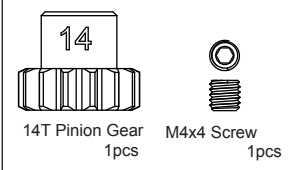
M5x4 Screw 1pcs
84mm Center Front CVD 1pcs

T08642



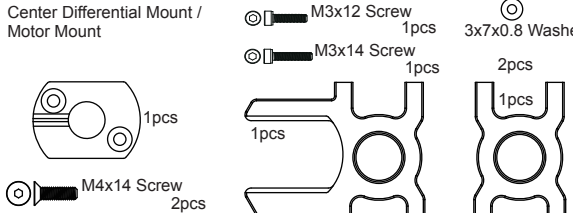
M5x4 Screw 1pcs
110mm Center Rear CVD 1pcs

H394



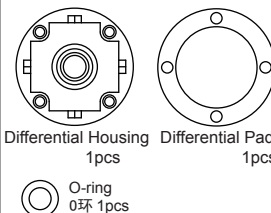
14
14T Pinion Gear 1pcs
M4x4 Screw 1pcs

T08686



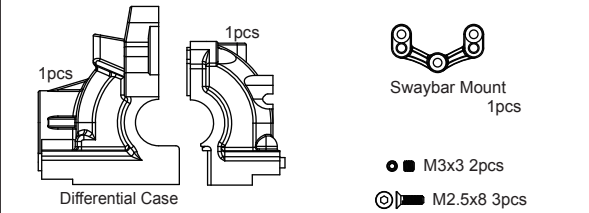
Center Differential Mount / Motor Mount 1pcs
M3x12 Screw 1pcs
M3x14 Screw 1pcs
M4x14 Screw 2pcs
3x7x0.8 Washer 2pcs
Differential Pads 1pcs

T08600



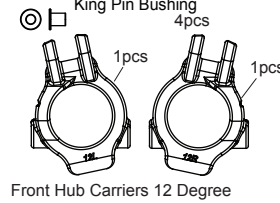
Differential Housing 1pcs
Differential Pads 1pcs
O-ring 0环 1pcs

T08601



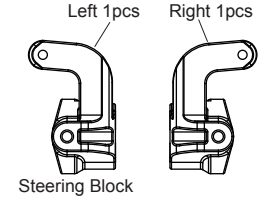
Differential Case 1pcs
Swaybar Mount 1pcs
M3x3 2pcs
M2.5x8 3pcs

T08603



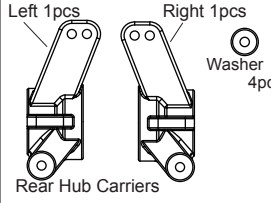
King Pin Bushing 4pcs
Front Hub Carriers 12 Degree 1pcs

T08604



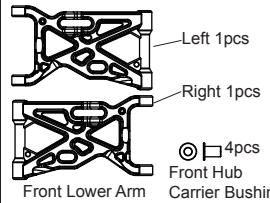
Left 1pcs
Right 1pcs
Steering Block

T08605



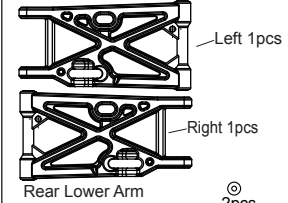
Left 1pcs
Right 1pcs
Washer 4pcs
Rear Hub Carriers

T08607



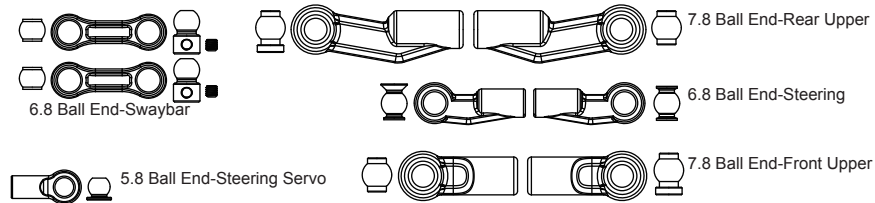
Left 1pcs
Right 1pcs
Front Hub Carrier Bushing 4pcs
Front Lower Arm

T08608



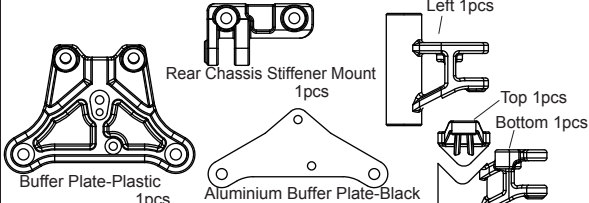
Left 1pcs
Right 1pcs
Rear Lower Arm 2pcs

T08606



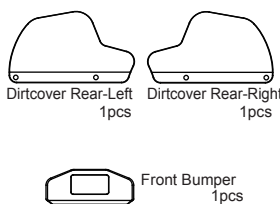
6.8 Ball End-Swaybar
7.8 Ball End-Rear Upper
6.8 Ball End-Steering
7.8 Ball End-Front Upper
5.8 Ball End-Steering Servo

T08609



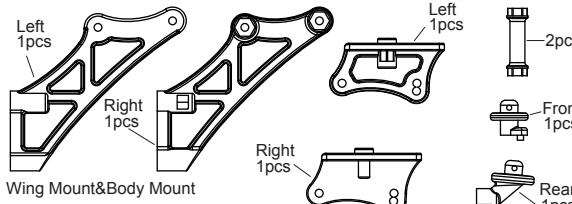
Rear Chassis Stiffener Mount 1pcs
Buffer Plate-Plastic 1pcs
Aluminium Buffer Plate-Black 1pcs
Left 1pcs
Top 1pcs
Bottom 1pcs

T08611



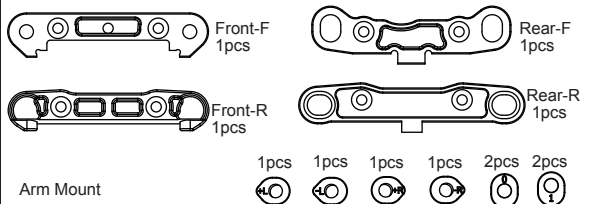
Dirtcover Rear-Left 1pcs
Dirtcover Rear-Right 1pcs
Front Bumper 1pcs

T08612



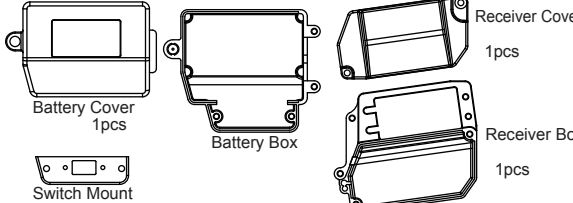
Left 1pcs
Right 1pcs
Wing Mount&Body Mount 1pcs
Right 1pcs
2pcs
Front 1pcs
Rear 1pcs

T08613



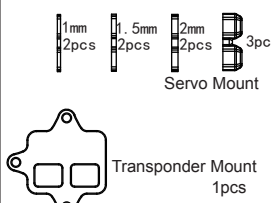
Front-F 1pcs
Front-R 1pcs
Rear-F 1pcs
Rear-R 1pcs
Arm Mount
1pcs 1pcs 1pcs 1pcs 2pcs 2pcs

T08614



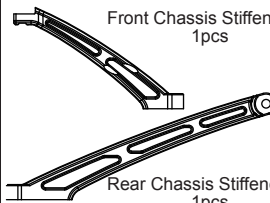
Battery Cover 1pcs
Battery Box
Receiver Cover 1pcs
Receiver Box 1pcs
Switch Mount 1pcs

T08616



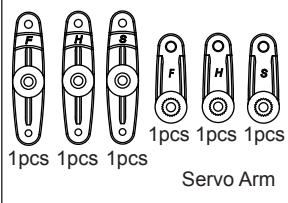
1mm 2pcs
1.5mm 2pcs
2mm 2pcs
Servo Mount 3pcs
Transponder Mount 1pcs

T08619



Front Chassis Stiffener 1pcs
Rear Chassis Stiffener 1pcs

T08620



1pcs 1pcs 1pcs 1pcs 1pcs 1pcs
Servo Arm

Parts list for T8E off-road buggy - 2

T08622

4pcs
Ball stud 4pcs
Ball End 4pcs
Spring Mount 4pcs
6.8 Ball stud 4pcs

T08623

4pcs
Shock Boot

T08624

4pcs
Front Shock Shaft 2pcs
4pcs
Rear Shock Shaft 2pcs

T08625

2pcs
Front Shock Body
2pcs
2pcs
2pcs
2pcs

T08626

2pcs
Rear Shock Body
2pcs
2pcs
2pcs
2pcs

T08627

4pcs
Diaphragm
4pcs
1mm Plastic Washer
4pcs
2.75mm Plastic Washer
8pcs
3.3x1.9 O-ring
4pcs
Shock Piston

T08688

Front Shock Absorber 2Set

T08689

Rear Shock Absorber 2Set

T08687

2pcs
Front Shock Spring
2pcs
Rear Shock Spring

T08631

1pcs
Front Shock Tower

T08632

1pcs
Rear Shock Tower
后避震架

T08633

4.1x12x0.2 Washer 4pcs
20T Diff Gear 2pcs
Diff Shaft
10T Diff Gear 4pcs
2.5x11.5 Pin 2pcs

T08634

2pcs
Front/Rear Diff Connecting Cup

T08635

2pcs
Center Diff Connecting Cup

T08636

10T Gear 1pcs
O-ring 1pcs
M3x12 Screw 4pcs
43T Front/Rear Diff Gear 1pcs

T08638

44T Center Diff Gear 1pcs
O-ring 1pcs
M3x12 Screw 4pcs

T08639

2 M4x4 Screw 2pcs
95.5mm Front CVD 2pcs

T08640

2 M4x4 Screw 2pcs
94mm Rear CVD 2pcs

T08643

3x40 1pcs
4x53 2pcs
5x40 2pcs
5x58 2pcs
Turnbuckle Set

T08645

2pcs
4x73 Arm Shaft

T08646

3x51.5 Arm Shaft 2pcs
4x77 Arm Shaft 2pcs

T08647

1pcs
1pcs
Front/Rear Swaybar

T08648

2pcs
Rim

T08649

4pcs
Wheel Hex Hub
17mm Hex Nut 4pcs
2.5x16.8 Pin 4pcs

T08650

1pcs
1pcs
1pcs
2pcs
Servo Saver Set




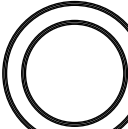





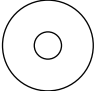
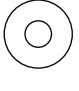
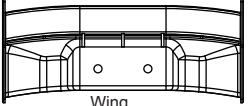

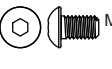
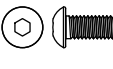
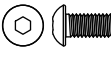


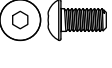
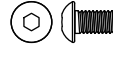
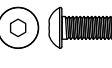
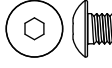

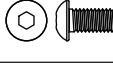
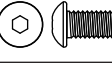

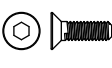
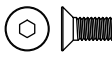
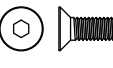
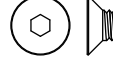
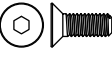













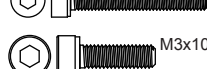







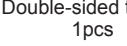
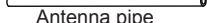
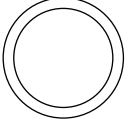







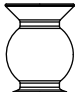


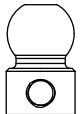

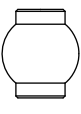
T08651

2pcs
Buffer Screw
2pcs
Buffer Bushing
1pcs
Steering Rack



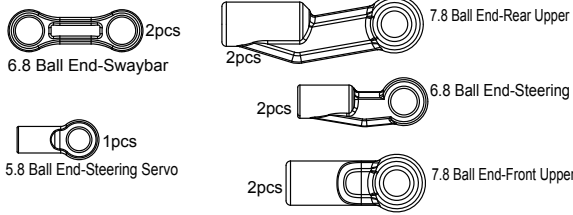
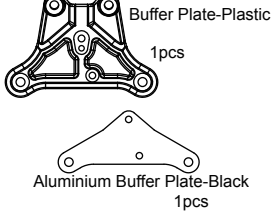
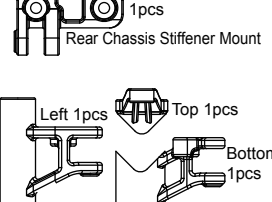


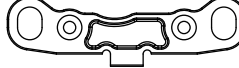
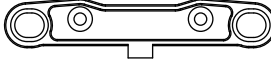
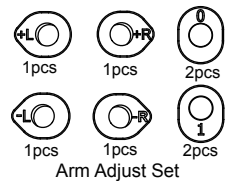
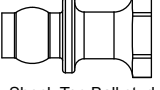
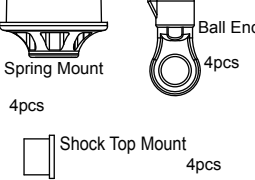
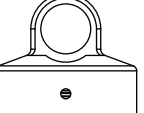

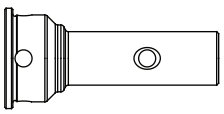
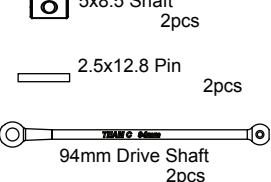
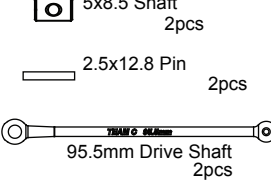
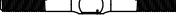

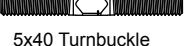
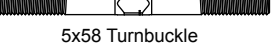
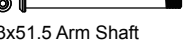
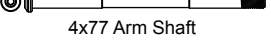
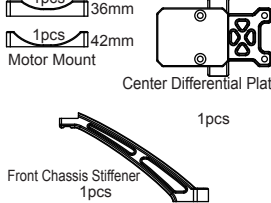
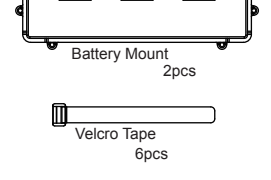
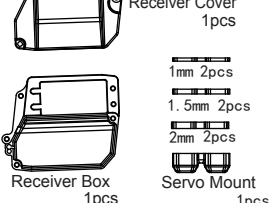
T08660

8pcs
Small Clip
8pcs
Mid Clip

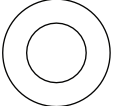
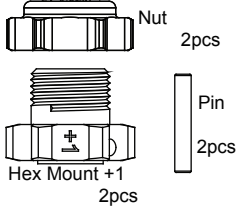
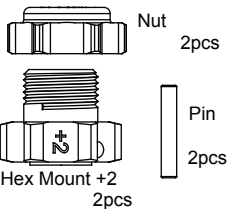
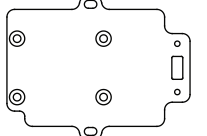
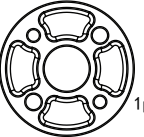
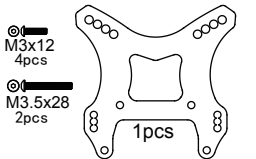
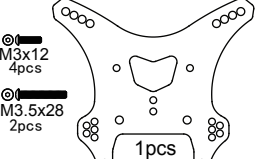
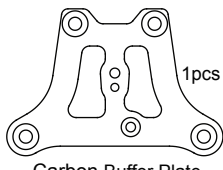
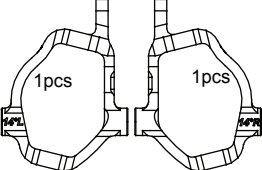
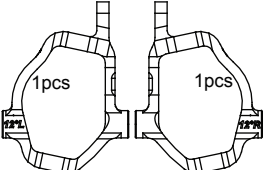
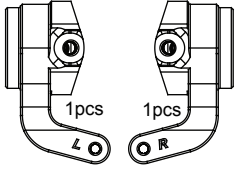
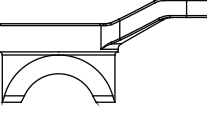
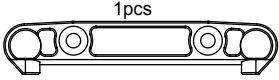
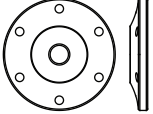



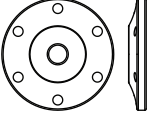

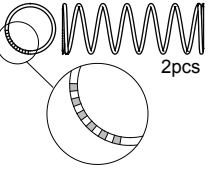
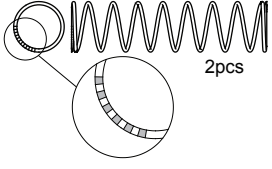
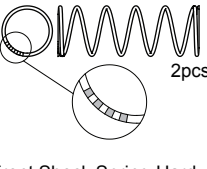
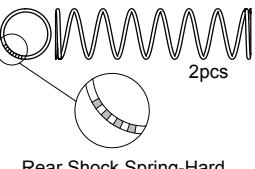
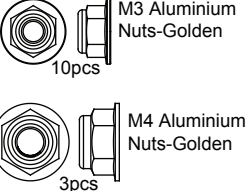
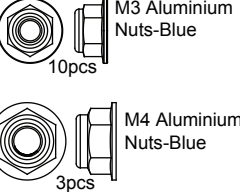
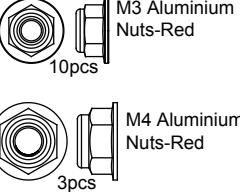
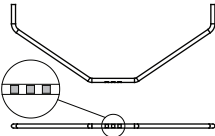
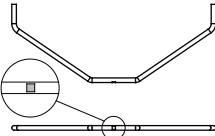
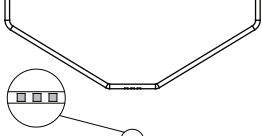
Parts list for T8E off-road buggy - 3

<p>T08662</p>  <p>6x10x3 Ball Bearing 6pcs</p>	<p>T08663</p>  <p>6x13x5 Ball Bearing 6pcs</p>	<p>T08664</p>  <p>8x16x5 Ball Bearing 6pcs</p>	<p>T08665</p>  <p>13x19x4 Ball Bearing 6pcs</p>	<p>T08667</p>  <p>2.7x5.8x0.5 Washer 6pcs</p>
<p>T08666</p>  <p>M2.5 Nylon Nut 6pcs</p>  <p>M3 Nylon Nut 6pcs</p>  <p>M3.5 Nylon Nut 6pcs</p>  <p>M4 Nylon Nut 6pcs</p>		<p>T08668</p>  <p>4.1x12x0.2 Washer 6pcs</p>	<p>T08670</p>  <p>3.5x9x1.0 Washer 6pcs</p>	<p>T08672</p>  <p>Wing 1pcs</p>  <p>Wing Screw Washer 2pcs</p>
<p>T08673</p>  <p>M3x5 Screw 8pcs</p>  <p>M3x10 Screw 8pcs</p>  <p>M3x18 Screw 8pcs</p>  <p>M4x10 Screw 8pcs</p>  <p>M4x22 Screw 8pcs</p>  <p>M3x6 Screw 8pcs</p>  <p>M3x12 Screw 8pcs</p>  <p>M3x30 Screw 8pcs</p>  <p>M4x14 Screw 8pcs</p>  <p>M3x8 Screw 8pcs</p>  <p>M3x16 Screw 8pcs</p>  <p>M3.5x25 Screw 8pcs</p>  <p>M4x16 Screw 8pcs</p>				
<p>T08674</p>  <p>M2.5x8 Screw 8pcs</p>  <p>M3x12 Screw 8pcs</p>  <p>M3x16 Screw 8pcs</p>  <p>M4x10 Screw 8pcs</p>  <p>M3x8 Screw 8pcs</p>  <p>M3x14 Screw 8pcs</p>  <p>M3x18 Screw 8pcs</p>  <p>M4x12 Screw 8pcs</p>  <p>M3x10 Screw 8pcs</p>  <p>M3x15 Screw 8pcs</p>  <p>M3x35 Screw 8pcs</p>  <p>M4x14 Screw 8pcs</p>				
<p>T08675</p>  <p>M3x3 Screw 8pcs</p>  <p>M3x5 Screw 8pcs</p>  <p>M4x4 Screw 8pcs</p>  <p>M4x10 Screw 8pcs</p>  <p>M5x4 Screw 8pcs</p>	<p>T08676</p>  <p>M2.5x8 Screw 8pcs</p>  <p>M2.5x18 Screw 8pcs</p>  <p>M3x10 Screw 8pcs</p>  <p>M3x12 Screw 8pcs</p>  <p>M3x14 Screw 8pcs</p>  <p>M3x18 Screw 8pcs</p>  <p>M3x20 Screw 8pcs</p>  <p>M3x25 Screw 8pcs</p>		<p>T02087</p>  <p>Antenna cover 1pcs</p>  <p>Double-sided tape 1pcs</p>  <p>Antenna pipe 1pcs</p>	
<p>T08304</p>  <p>13.1x15.9x0.2 Washer 6pcs</p>	<p>T02081</p>  <p>3x7x0.8 Washer 10pcs</p>	<p>T08750</p>  <p>Buffer Screw 2pcs</p>  <p>3x7x0.8 Washer 2pcs</p>	<p>T08751</p>  <p>Front Hub Carrier Bushing 4pcs</p>  <p>M4x16 4pcs</p>	<p>T08752</p>  <p>King Pin Bushing 4pcs</p>  <p>M4x14 4pcs</p>
<p>T08753</p>  <p>6.8 Ball Stud-Steering 6pcs</p>	<p>T08754</p>  <p>6.8 Ball Stud-Steering 6pcs</p>	<p>T08755</p>  <p>6.8 Ball Stud-Swaybar/Shock 6pcs</p>	<p>T08756</p>  <p>6.8 Ball Stud-Swaybar 6pcs</p>  <p>M3x3 6pcs</p>	<p>T08757</p>  <p>7.8 Ball Stud-Front/Rear Upper 6pcs</p>

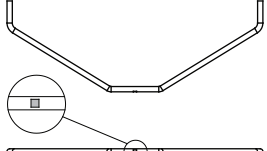
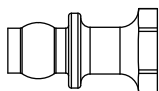

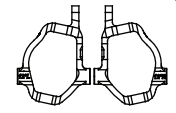

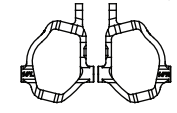

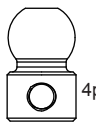
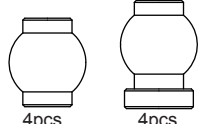


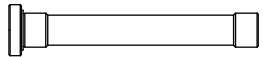
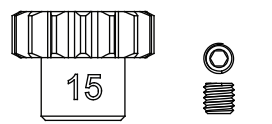
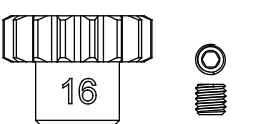
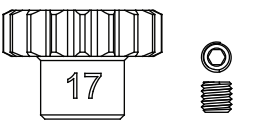
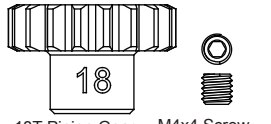
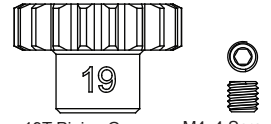
Parts list for T8E off-road buggy - 4

<p>T08758</p>  <p>7.8 Ball Stud-Front/Rear Upper 6pcs</p>	<p>T08759</p>  <p>5.8 Ball Stud-Steering Servo 6pcs</p>	<p>T08760</p>  <p>6.8 Ball End-Swaybar 2pcs 7.8 Ball End-Rear Upper 2pcs 6.8 Ball End-Steering 2pcs 5.8 Ball End-Steering Servo 1pcs 7.8 Ball End-Front Upper 2pcs</p>	<p>T08761</p>  <p>Buffer Plate-Plastic 1pcs Aluminium Buffer Plate-Black 1pcs</p>	
<p>T08762</p>  <p>Rear Chassis Stiffener Mount 1pcs Left 1pcs Top 1pcs Bottom 1pcs</p>	<p>T08763</p>  <p>Arm Mount Front-F 1pcs</p>	<p>T08764</p>  <p>Arm Mount Front-R 1pcs</p>	<p>T08765</p>  <p>Arm Mount Rear-F 1pcs</p>	<p>T08766</p>  <p>Arm Mount Rear-R 1pcs</p>
<p>T08767</p>  <p>Arm Adjust Set 1pcs 1pcs 2pcs 1pcs 1pcs 2pcs</p>	<p>T08768</p>  <p>Shock Top Ball stud 4pcs</p>	<p>T08769</p>  <p>Spring Mount 4pcs Ball End 4pcs Shock Top Mount 4pcs</p>	<p>T08770</p>  <p>Shock Absorber Top cover 4pcs</p>	<p>T08771</p>  <p>18.5x1.5 O-ring 4pcs 9x1.0 O-ring 4pcs</p>
<p>T08772</p>  <p>CVD Connecting Cup 2pcs</p>	<p>T08773</p>  <p>5x8.5 Shaft 2pcs 2.5x12.8 Pin 2pcs 94mm Drive Shaft 2pcs</p>	<p>T08774</p>  <p>5x8.5 Shaft 2pcs 2.5x12.8 Pin 2pcs 95.5mm Drive Shaft 2pcs</p>	<p>T08775</p>  <p>3x40 Turnbuckle 2pcs</p>	<p>T08776</p>  <p>4x53 Turnbuckle 2pcs</p>
<p>T08777</p>  <p>5x40 Turnbuckle 2pcs</p>	<p>T08778</p>  <p>5x58 Turnbuckle 2pcs</p>	<p>T08779</p>  <p>3x51.5 Arm Shaft 2pcs</p>	<p>T08780</p>  <p>4x77 Arm Shaft 2pcs</p>	<p>T08820</p>  <p>36mm 1pcs 42mm 1pcs Motor Mount Center Differential Plate 1pcs Front Chassis Stiffener 1pcs</p>
<p>T08786 M2.5 Nylon Nut 6pcs</p>	<p>T08800 M4x16 Button Head Hex Screw 8pcs</p>	<p>T08821</p>  <p>Battery Mount 2pcs Velcro Tape 6pcs</p>		
<p>T08787 M3.5 Nylon Nut 6pcs</p>	<p>T08801 M4x22 Button Head Hex Screw 8pcs</p>	<p>T08822</p>  <p>Receiver Cover 1pcs Receiver Box 1pcs Servo Mount 1pcs 1mm 2pcs 1.5mm 2pcs 2mm 2pcs</p>		
<p>T08789 M3x6 Button Head Hex Screw 8pcs</p>	<p>T08802 M2.5x8 Flat Head Hex Screw 8pcs</p>	<p>T08803 M3x8 Flat Head Hex Screw 8pcs</p>		
<p>T08790 M3x8 Button Head Hex Screw 8pcs</p>	<p>T08804 M3x10 Flat Head Hex Screw 8pcs</p>	<p>T08805 M3x12 Flat Head Hex Screw 8pcs</p>		
<p>T08791 M3x10 Button Head Hex Screw 8pcs</p>	<p>T08806 M3x14 Flat Head Hex Screw 8pcs</p>	<p>T08806 M3x14 Flat Head Hex Screw 8pcs</p>		
<p>T08792 M3x12 Button Head Hex Screw 8pcs</p>	<p>T08807 M3x15 Flat Head Hex Screw 8pcs</p>	<p>T08807 M3x15 Flat Head Hex Screw 8pcs</p>		
<p>T08793 M3x15 Button Head Hex Screw 8pcs</p>	<p>T08808 M3x16 Flat Head Hex Screw 8pcs</p>	<p>T08808 M3x16 Flat Head Hex Screw 8pcs</p>		
<p>T08794 M3x16 Button Head Hex Screw 8pcs</p>	<p>T08809 M3x18 Flat Head Hex Screw 8pcs</p>	<p>T08809 M3x18 Flat Head Hex Screw 8pcs</p>		
<p>T08795 M3x18 Button Head Hex Screw 8pcs</p>	<p>T08810 M3x35 Flat Head Hex Screw 8pcs</p>	<p>T08810 M3x35 Flat Head Hex Screw 8pcs</p>		
<p>T08797 M3.5x25 Button Head Hex Screw 8pcs</p>				
<p>T08799 M4x14 Button Head Hex Screw 8pcs</p>				

Parts list for T8E off-road buggy - 5

T08811	M4x10 Flat Head Hex Screw	8pcs	511129	Mid Clip	10pcs	T08669	 6.1x11x0.2 Washer 12pcs		
T08812	M4x12 Flat Head Hex Screw	8pcs	511190	Small Clip	10pcs				
T08813	M4x14 Flat Head Hex Screw	8pcs	84001	M3x3 Set Screw	8pcs				
T08814	M3x5 Set Screw	8pcs	87004	M3 Nylon Nut	6pcs				
T08815	M4x10 Set Screw	8pcs	87006	M4 Nylon Nut	6pcs				
T08816	M5x4 Set Screw	8pcs							
T08819	M3x25 Cap Head Screw	8pcs	TU0801	 Nut 2pcs Hex Mount +1 2pcs Pin 2pcs	TU0802	 Nut 2pcs Hex Mount +2 2pcs Pin 2pcs	TU0804	 Carbon ESC Mount 1pcs	
84002	M4x4 Set Screw	8pcs							
83001	M3x12 Cap Head Screw	8pcs							
T08219	M3x14 Cap Head Screw	8pcs							
T08220	M3x18 Cap Head Screw	8pcs							
TU0807	 Aluminium Motor Washer 4MM 1pcs	TU0810	 Carbon Front Shock Tower 1pcs M3x12 4pcs M3.5x28 2pcs	TU0812	 Carbon Rear Shock Tower 1pcs M3x12 4pcs M3.5x28 2pcs	TU0819	 Carbon Buffer Plate 1pcs	TU0829	 Front Hub Carriers 14 Degree 1pcs
TU0830	 Front Hub Carriers 12 Degree 1pcs	TU0831	 Steering Block 1pcs	TU0835	 Servo Saver 1pcs	TU0839	 Front Arm Mount-Rear 1pcs	TU0842	 Piston 1.2x6-Black 2pcs
TU0844	 3x40 Titan Turnbuckle 1pcs	TU0845	 4x52 Titan Turnbuckle 2pcs	TU0846	 5x40 Titan Turnbuckle 2pcs	TU0847	 Piston 1.4x6-White 活塞 1.4x6-白色 2pcs	TU0848	 5x58 Titan Turnbuckle 2pcs
TU0850	 Front Shock Spring-Soft 2pcs	TU0852	 Rear Shock Spring-Soft 2pcs	TU0854	 Front Shock Spring-Hard 2pcs	TU0856	 Rear Shock Spring-Hard 2pcs	TU0860G	 M3 Aluminium Nuts-Golden 10pcs M4 Aluminium Nuts-Golden 3pcs
TU0861B	 M3 Aluminium Nuts-Blue 10pcs M4 Aluminium Nuts-Blue 3pcs	TU0862R	 M3 Aluminium Nuts-Red 10pcs M4 Aluminium Nuts-Red 3pcs	TU0866	 Front Sway Bar 2.3 1pcs	TU0867	 Front Sway Bar 2.6 1pcs	TU0868	 Rear Sway Bar 2.6 1pcs

Parts list for T8E off-road buggy - 6

<p>TU0869 OP</p>  <p>Rear Sway Bar 3.0 1pcs</p>	<p>TU0870 OP</p>  <p>Shock Top Ball Stud-Aluminium 4pcs</p>	<p>TU0871 OP</p>  <p>5.8/6.8mm Ball Stud-Aluminium 2pcs 2pcs 2pcs</p>	<p>TU0872 OP</p> <p>Front Hub Carriers 12 Degree</p>  <p>1 set</p>  <p>Steering Block</p>	<p>TU0874 OP</p> <p>Front Hub Carriers 14 Degree</p>  <p>1 set</p>  <p>Steering Block</p>
<p>TU0875 OP</p>  <p>6.8 Swaybar Ball Stud-Aluminium 4pcs</p>	<p>TU0876 OP</p>  <p>7.8mm Arm Ball Stud-Aluminium 4pcs 4pcs</p>	<p>TU0877 OP</p>  <p>Wing Washer-Aluminium 2pcs M3x12 2pcs</p>	<p>TU0878 OP</p>  <p>Diff Shaft-Aluminium 6pcs</p>	<p>TU0879 OP</p>  <p>Servo Saver Shaft-Aluminium 2pcs</p>
<p>H395 OP</p>  <p>15T Pinion Gear 1pcs M4x4 Screw 1pcs</p>	<p>H396 OP</p>  <p>16T Pinion Gear 1pcs M4x4 Screw 1pcs</p>	<p>H397 OP</p>  <p>17T Pinion Gear 1pcs M4x4 Screw 1pcs</p>	<p>H398 OP</p>  <p>18T Pinion Gear 1pcs M4x4 Screw 1pcs</p>	<p>H399 OP</p>  <p>19T Pinion Gear 1pcs M4x4 Screw 1pcs</p>
<p> </p>	<p> </p>	<p> </p>	<p> </p>	<p> </p>
<p> </p>	<p> </p>	<p> </p>	<p> </p>	<p> </p>
<p> </p>	<p> </p>	<p> </p>	<p> </p>	<p> </p>
<p> </p>	<p> </p>	<p> </p>	<p> </p>	<p> </p>

T8E *TeamC*

www.teamcracing.net

Driver _____

Track / City _____

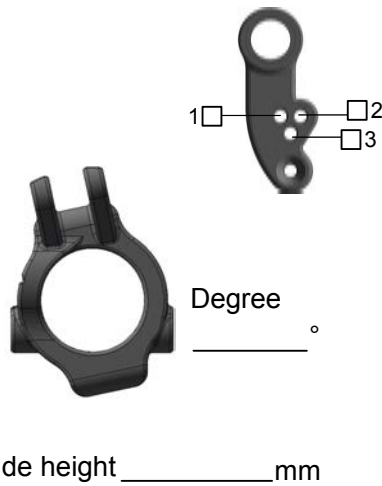
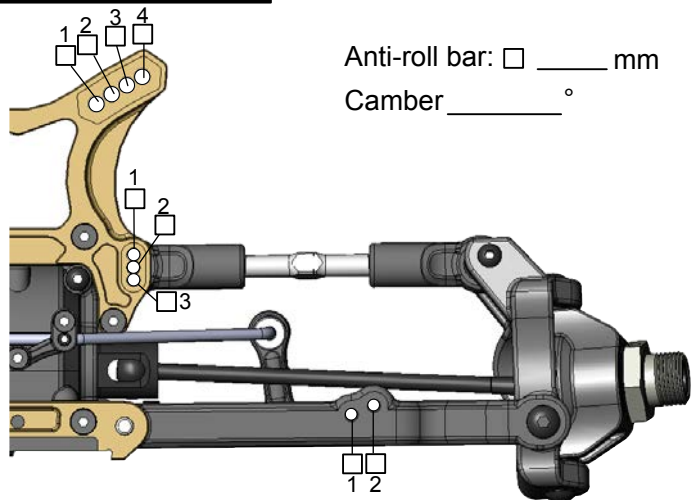
Event _____ Date ____ / ____ / ____

SETUP SHEET for the TeamC T8E

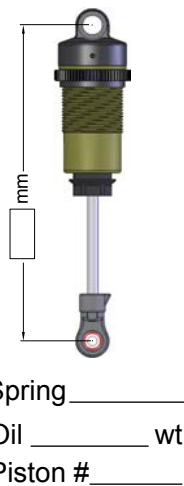
Track Condition

- Smooth Bumpy Low traction Med traction High traction
 Sandy Soft dirt Grass Hard soil Clay Wet Dry Dusty Other

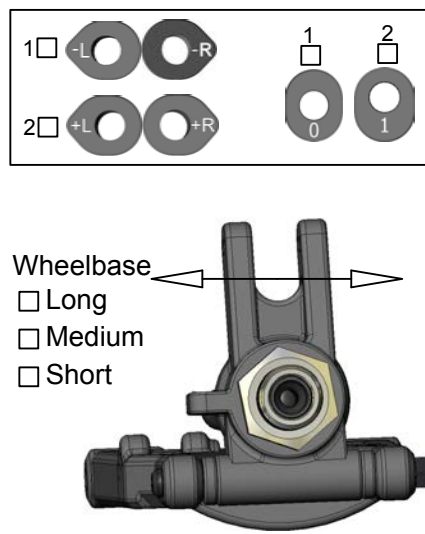
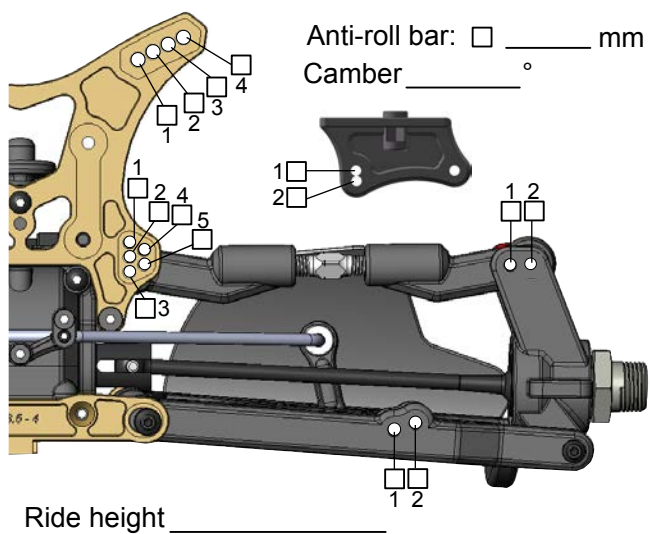
Front Suspension Shock Mounting & Camber link



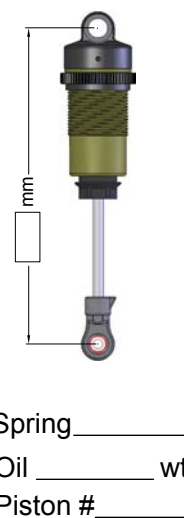
Front Shocks



Rear Suspension Shock Mounting & Camber link



Rear Shocks



Tires

Brand _____
 Compound _____
 Insert _____ **Front**
 Wheel _____

Brand _____
 Compound _____
 Insert _____ **Rear**
 Wheel _____

Note _____

Diff

Brand _____
 Oil wt _____ **Front**

Brand _____
 Oil wt _____ **Center**

Brand _____
 Oil wt _____ **Rear**

Motor

ESC _____
 Motor _____
 LiPo battery _____
 Spur _____
 Pinion _____

Note _____



HOBBYPRO COMPANY LTD.

Flat C-D, 5/F.,

Speedy Ind. BLDG.,

114 How Ming Street,

Kwun Tong, KLN., Hong Kong.

Team C Headquarter

www.teamcracing.net

Team C America

www.teamcamerica.com

Team C Europe

www.teamceurope.com